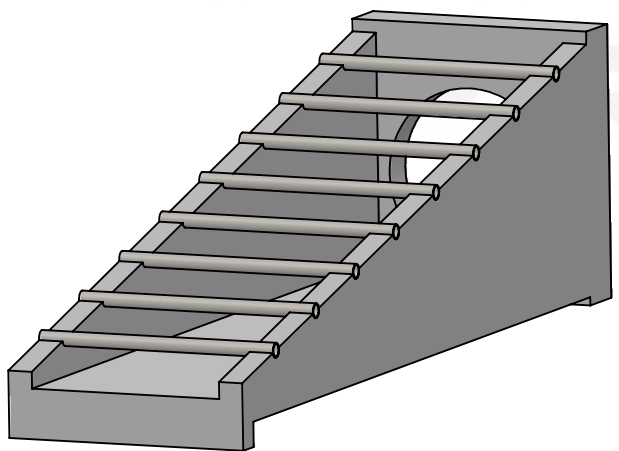
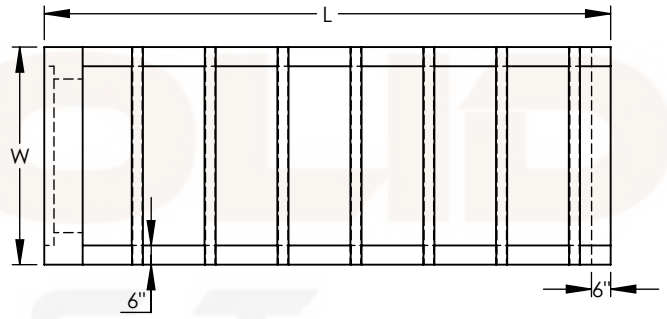
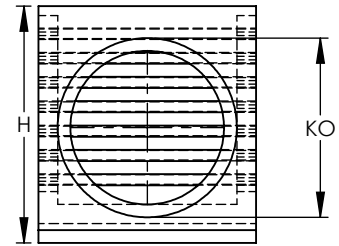
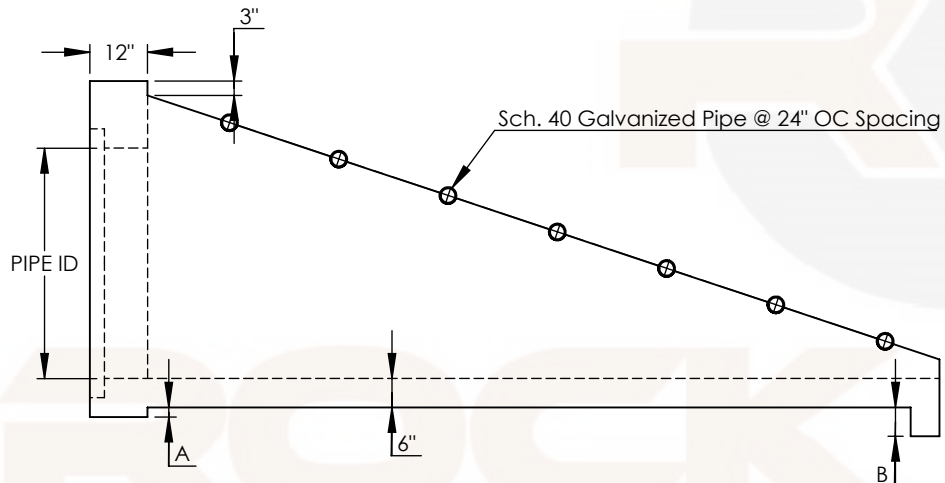


3:1 SLOPE							
PIPE ID	L	W	H	KO	A	B	LBS
12"	4'-4"	2'-6"	2'-6"	18"	2"	6"	2,002
15"	4'-4"	2'-6"	2'-6"	21"	2"	6"	1,886
18"	5'-9"	2'-6"	2'-8"	24"	2"	6"	2,352
24"	7'	3'	3'-6"	32"	2"	6"	3,746
30"	9'	3'-6"	3'-10"	36"	2"	6"	4,789
36"	10'-6"	4'	4'-5"	44"	2"	6"	7,250
42"	12'-2"	5'	5'-8"	48"	6"	6"	11,134
48"	12'-2"	5'-8"	5'-8"	60"	6"	6"	10,600

4:1 SLOPE							
PIPE ID	L	W	H	KO	A	B	LBS
12"	5'-10"	2'-6"	2'-8"	18"	2"	6"	3,230
15"	5'-10"	2'-6"	2'-8"	21"	2"	6"	3,135
18"	7'-4"	2'-6"	2'-8"	24"	2"	6"	3,035
24"	9'	3'	3'-6"	32"	2"	6"	5,435
30"	11'	3'-6"	3'-10"	36"	2"	6"	7,220
36"	13'-4"	4'	4'-5"	44"	2"	6"	9,930
42"	15'-6"	5'	5'-8"	48"	6"	6"	15,105
48"	15'-6"	5'-8"	5'-8"	60"	6"	6"	18,330

6:1 SLOPE							
PIPE ID	L	W	H	KO	A	B	LBS
12"	7'-3"	2'-6"	2'-8"	18"	2"	6"	4,390
15"	7'-3"	2'-6"	2'-8"	21"	2"	6"	4,295
18"	9'	2'-6"	2'-8"	24"	2"	6"	4,200
24"	13'-5"	3'	3'-6"	32"	2"	6"	7,570
30"	15'	3'-6"	3'-10"	36"	2"	6"	10,120
36"	18'	4'	4'-5"	44"	2"	6"	14,075
42"	22'-9"	5'	5'-8"	48"	6"	6"	21,215
48"	22'-9"	5'-8"	5'-8"	60"	6"	6"	26,045



Concrete
Per ASTM C150: Type I/II with 28 day compressive strength of 4,500 PSI. Monolithic construction including walls & floor.

Reinforcement
Per ASTM A615 Grade 60 No. 4 steel rebar on required centers or equal.

Galvanized Cross Bars
Per ASTM A36, A53 Type S Grade B, Bolts Per ASTM A307

Rock Solid Precast, L.P.

11393 Sleepy Hollow Road
Conroe, TX 77385

PO Box 8066
The Woodlands, TX 77387

(281) 364-7474

TITLE

Safety End Treatment
With Bars 12" - 48"

DWG. NO.

S.E.T. WB
DRAWN/CHECKED WEIGHT

PROPRIETARY AND CONFIDENTIAL
THE INFORMATION CONTAINED IN THIS DRAWING IS THE SOLE PROPERTY OF ROCK SOLID PRECAST, LP. ANY REPRODUCTION IN PART OR AS A WHOLE WITHOUT THE WRITTEN PERMISSION OF ROCK SOLID PRECAST, LP IS PROHIBITED.