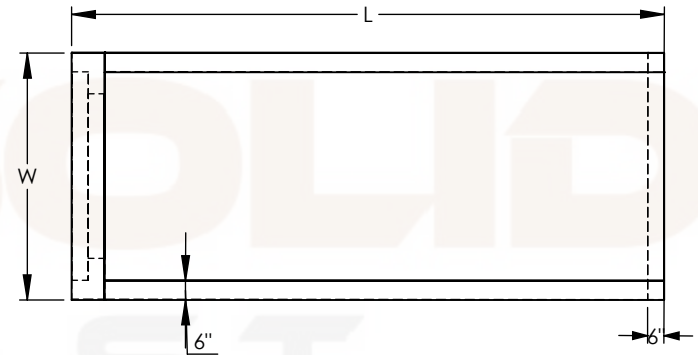
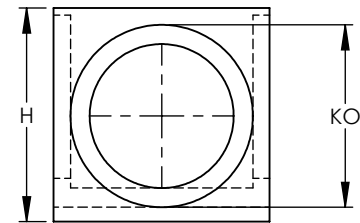
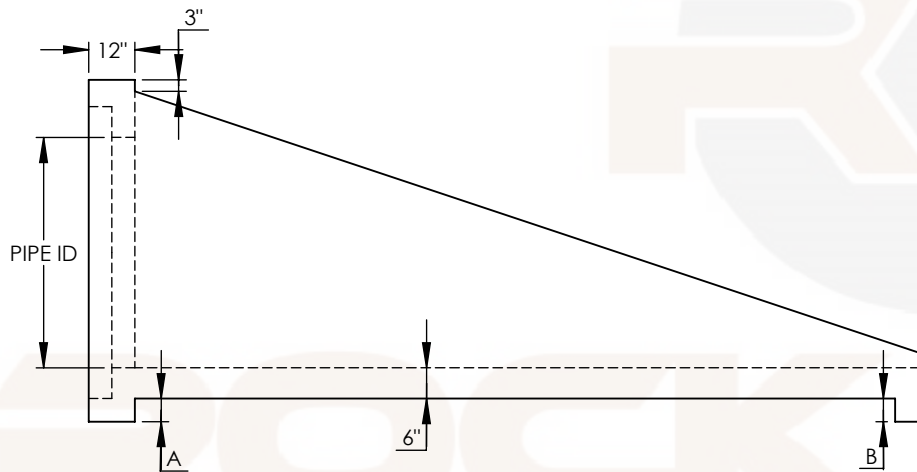


3:1 SLOPE							
PIPE ID	L	W	H	KO	A	B	LBS
12"	4'-4"	2'-6"	2'-6"	18"	2"	6"	1,964
15"	4'-4"	2'-6"	2'-6"	21"	2"	6"	1,920
18"	5'-9"	2'-6"	2'-8"	24"	2"	6"	2,270
24"	7'	3'	3'-6"	32"	2"	6"	3,638
30"	9'	3'-6"	3'-10"	36"	2"	6"	4,808
36"	10'-6"	4'	4'-5"	44"	2"	6"	7,198
42"	12'-2"	5'	5'-8"	48"	6"	6"	10,700
48"	12'-2"	5'-8"	5'-8"	60"	6"	6"	10,564

4:1 SLOPE							
PIPE ID	L	W	H	KO	A	B	LBS
12"	5'-10"	2'-6"	2'-6"	18"	2"	6"	2,374
15"	5'-10"	2'-6"	2'-6"	21"	2"	6"	2,338
18"	7'-4"	2'-6"	2'-8"	24"	2"	6"	2,896
24"	9'	3'	3'-6"	32"	2"	6"	4,478
30"	11'	3'-6"	3'-10"	36"	2"	6"	5,884
36"	13'-4"	4'	4'-5"	44"	2"	6"	8,908
42"	15'-6"	5'	5'-8"	48"	6"	6"	12,500
48"	15'-6"	5'-8"	5'-8"	60"	6"	6"	12,300

6:1 SLOPE							
PIPE ID	L	W	H	KO	A	B	LBS
12"	7'-3"	2'-6"	2'-6"	18"	2"	6"	3,018
15"	7'-3"	2'-6"	2'-6"	21"	2"	6"	3,006
18"	9'	2'-6"	2'-8"	24"	2"	6"	3,410
24"	13'-5"	3'	3'-6"	32"	2"	6"	6,976
30"	15'	3'-6"	3'-10"	36"	2"	6"	8,806
36"	18'	4'	4'-5"	44"	2"	6"	11,999
42"	22'-9"	5'	5'-8"	48"	6"	6"	17,700
48"	22'-9"	5'-8"	5'-8"	60"	6"	6"	17,700



#### Concrete

Per ASTM C150: Type I/II with 28 day compressive strength of 4,500 PSI. Monolithic construction including walls & floor.

#### Reinforcement

Per ASTM A615 Grade 60 No. 4 steel rebar on required centers or equal.

#### Rock Solid Precast, L.P.

11393 Sleepy Hollow Road  
Conroe, TX 77385

PO Box 8066  
The Woodlands, TX 77387

(281) 364-7474

TITLE

Safety End Treatment  
No Bars 12" - 48"

DWG. NO.

S.E.T. NB

DRAWN/CHECKED

WEIGHT

#### PROPRIETARY AND CONFIDENTIAL

THE INFORMATION CONTAINED IN THIS DRAWING IS THE SOLE PROPERTY OF ROCK SOLID PRECAST, L.P. ANY REPRODUCTION IN PART OR AS A WHOLE WITHOUT THE WRITTEN PERMISSION OF ROCK SOLID PRECAST, L.P. IS PROHIBITED.