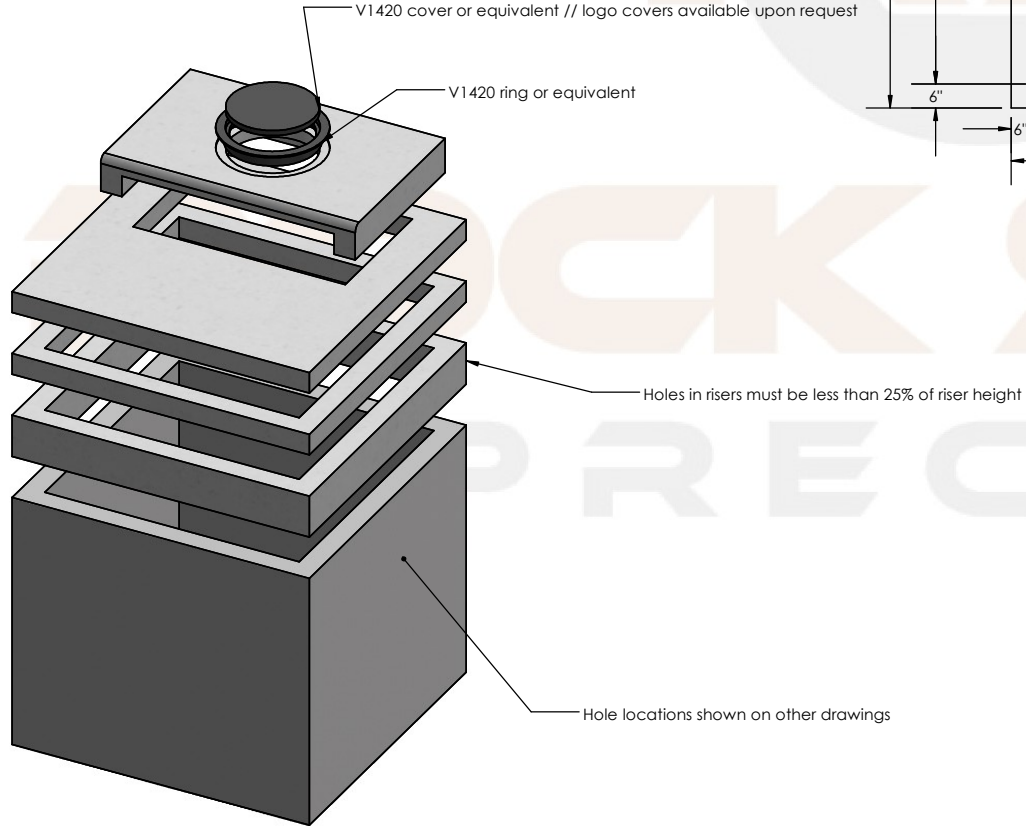
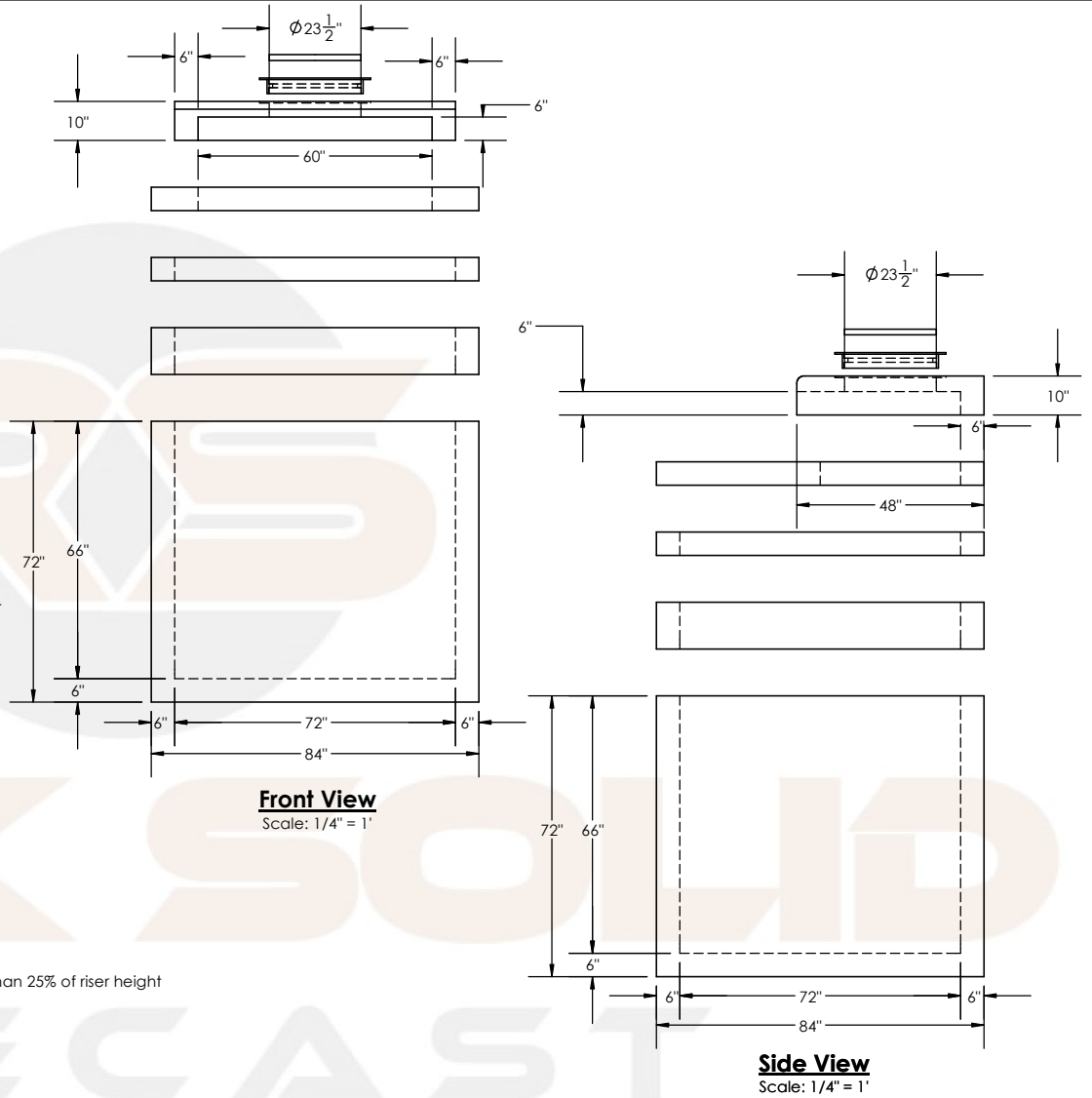


Description	Product Code	Weight (Lbs.)
Bases		
72" x 72" x 66" ID Custom Base	727266B	14,400
Risers		
72" x 72" x 6" ID Riser	72726R	975
72" x 72" x 12" ID Riser	727212R	1,950
72" x 72" x 24" ID Riser	727224R	3,900
72" x 72" x 36" ID Riser	727236R	5,850
Slab Top		
72" x 72" ID Slab Top x 6" Tall with 36" x 60" Opening	72726ST3660	2,555
Curb Top		
36" x 60" x 10" C Top	366010CT	1,525
Cast Iron		
23.5" Ø Ring	235RR	75
23.5" Ø Cover	235C	175



Isometric View
Scale: 1/4" = 1'

Concrete
28 day compressive strength of 4,500 PSI
Bottoms to be monolithic at floor and at first stage of wall

Cement
Per ASTM C150: Type I

Cast Iron
Meets ASTM A48 and CL35B Standards

Reinforcement
Rebar per ASTM A615 Grade 60

Rock Solid Precast, L.P.

11393 Sleepy Hollow Road PO Box 8066
Conroe, TX 77385 The Woodlands, TX 77387
(281) 364-7474

TITLE
72" x 72" Type C Curb Hole Specific
Transition Submittal Drawing

PROPRIETARY AND CONFIDENTIAL
THE INFORMATION CONTAINED IN THIS DRAWING IS THE
SOLE PROPERTY OF ROCK SOLID PRECAST, LP. ANY
REPRODUCTION IN PART OR AS A WHOLE WITHOUT THE
WRITTEN PERMISSION OF ROCK SOLID PRECAST, LP IS
PROHIBITED.

DWG. NO.
72CCHS Transition Submittal Drawing
DRAWN CHECKED WEIGHT
MKK