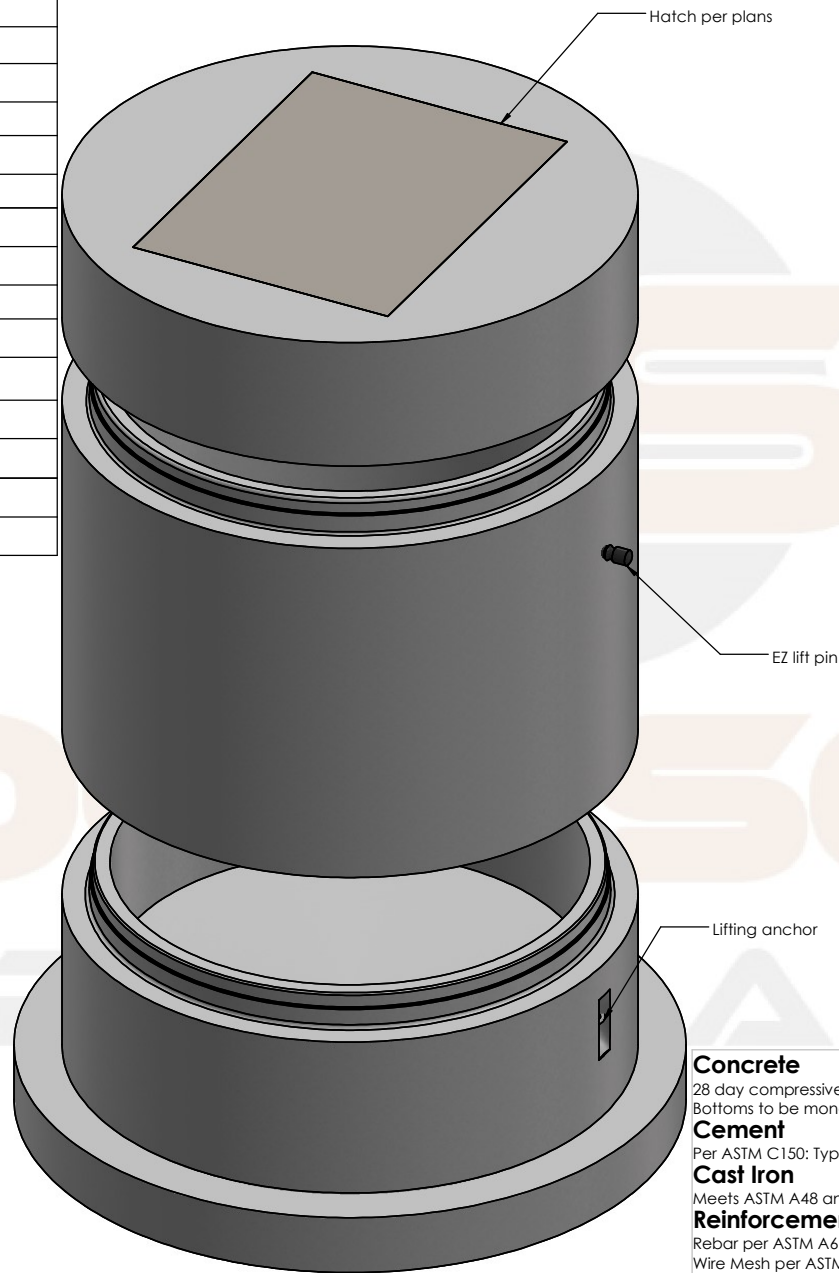
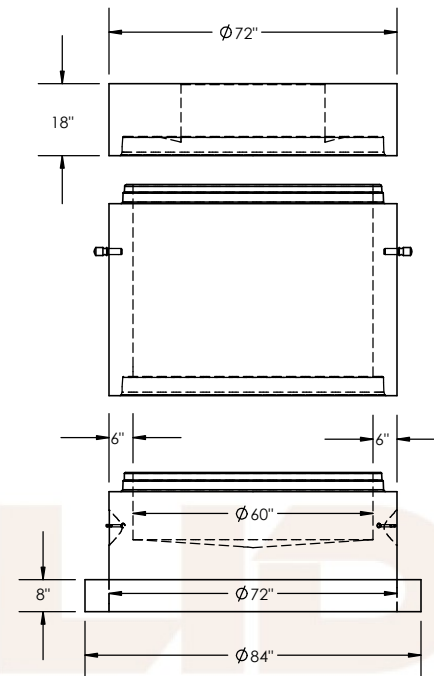


Description	Product Code	Weight (Lbs.)
Bases		
60" Ø x 18" Tall Basic	6018B	7,695
60" Ø x 18" Tall Custom	6018BSP	Varies
60" Ø x 24" Tall Basic	6024B	8,340
60" Ø x 24" Tall Custom	6024BSP	Varies
60" Ø x 36" Tall Basic	6036B	9,630
60" Ø x 36" Tall Custom	6036BSP	Varies
Risers		
60" Ø x 24" Tall Basic	6024R	2,580
60" Ø x 24" Tall Custom	6024RSP	Varies
60" Ø x 36" Tall Basic	6036R	3,870
60" Ø x 36" Tall Custom	6036RSP	Varies
60" Ø x 48" Tall Basic	6048R	5,160
60" Ø x 48" Tall Custom	6048RSP	Varies
Slab Top		
60" Ø x 12" Tall	6012ST3648	3,000



Exploded Isometric View
Scale: 1/2" = 1'



SideView
Scale: 1/4" = 1'

Concrete

28 day compressive strength of 4,500 PSI
Bottoms to be monolithic at floor and at first stage of wall

Cement

Per ASTM C150: Type I

Cast Iron

Meets ASTM A48 and CL35B Standards

Reinforcement

Rebar per ASTM A615 Grade 60
Wire Mesh per ASTM A1064

Rock Solid Precast, L.P.

11393 Sleepy Hollow Road
Conroe, TX 77385

PO Box 8066
The Woodlands, TX 77387

(281) 364-7474

TITLE

60" Ø Lift Station or Wet Well Shell
(Various Options)

DWG. NO.

60LSWW Shell Drawing

DRAWN CHECKED

MKK

WEIGHT

Varies

PROPRIETARY AND CONFIDENTIAL

THE INFORMATION CONTAINED IN THIS DRAWING IS THE SOLE PROPERTY OF ROCK SOLID PRECAST, LP. ANY REPRODUCTION IN PART OR AS A WHOLE WITHOUT THE WRITTEN PERMISSION OF ROCK SOLID PRECAST, LP IS PROHIBITED.

Options
Thane Coat or Equivalent
Xypex or Equivalent
Bio-San