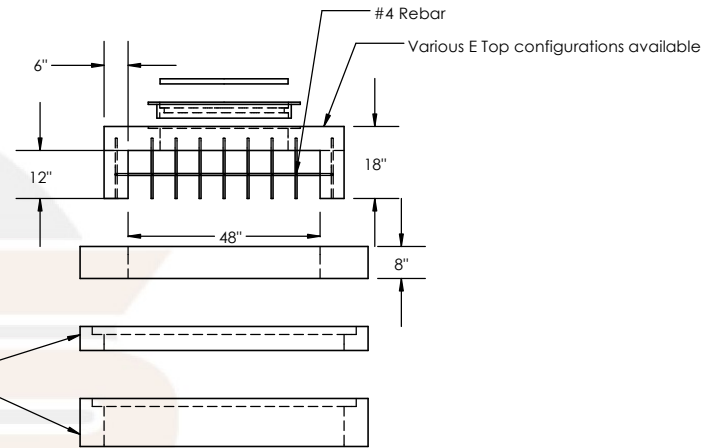
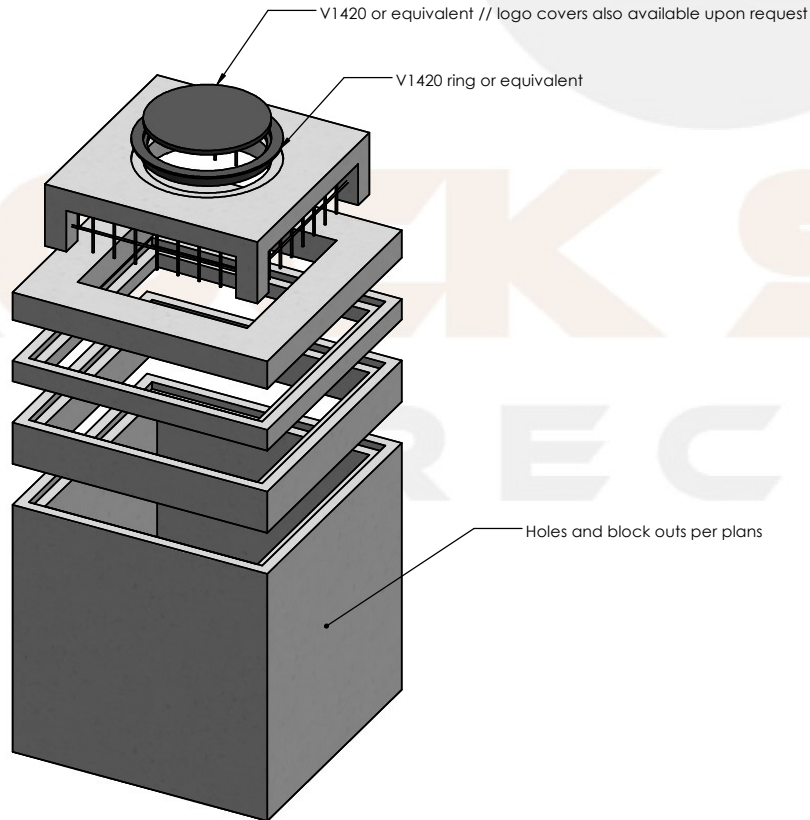


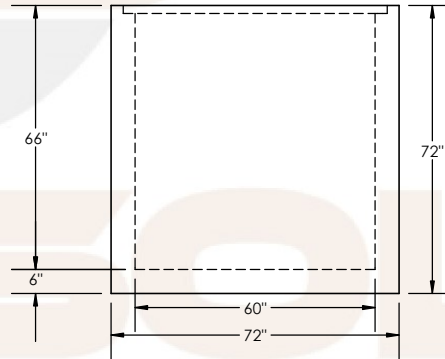
Description	Product Code	Weight (Lbs.)
Bases		
60" x 60" x 66" ID Custom Base	606066B	11,660
Risers		
60" x 60" x 6" ID Riser	60606R	700
60" x 60" x 12" ID Riser	606012R	1,400
60" x 60" x 24" ID Riser	606024R	2,800
60" x 60" x 36" ID Riser	606036R	4,200
Slab Top		
60" x 60" ID Slab Top x 8" Tall with 48" x 48" Opening	60608ST4848	1,500
Top Section		
48" x 48" x 18" E Top	484818E	1,600
Cast Iron		
32" Ring	32R	73
32" Cover	32C	172



Risers available in 6", 12", 24", or 36"



Isometric View
Scale: 1/4" = 1'



Side View
Scale: 1/4" = 1'

Concrete

28 day compressive strength of 4,500 PSI
Bottoms to be monolithic at floor and at first stage of wall

Cement

Per ASTM C150: Type I

Reinforcement

Rebar per ASTM A615 Grade 60

Loading

HS-20

PROPRIETARY AND CONFIDENTIAL

THE INFORMATION CONTAINED IN THIS DRAWING IS THE SOLE PROPERTY OF ROCK SOLID PRECAST, LP. ANY REPRODUCTION IN PART OR AS A WHOLE WITHOUT THE WRITTEN PERMISSION OF ROCK SOLID PRECAST, LP IS PROHIBITED.

Rock Solid Precast, L.P.

11393 Sleepy Hollow Road
Conroe, TX 77385

PO Box 8066
The Woodlands, TX 77387

(281) 364-7474

TITLE

60" x 60" Custom E Structure Submittal

DWG. NO.

60E Hole Specific DWG

DRAWN CHECKED

MKK

WEIGHT