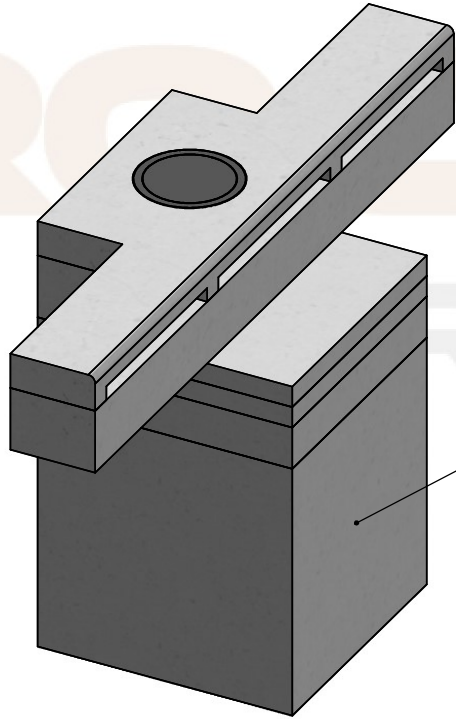
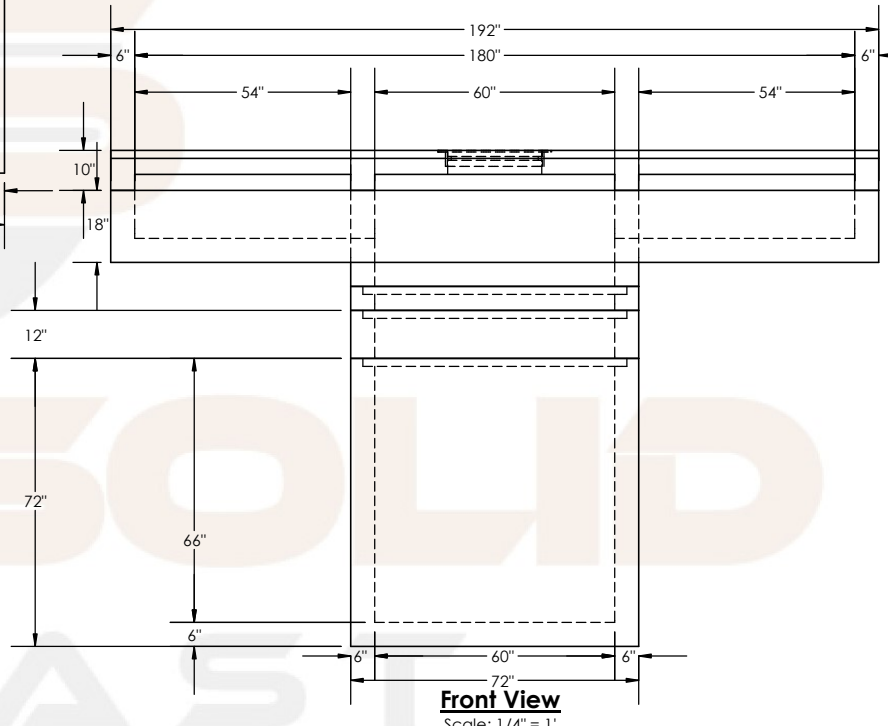
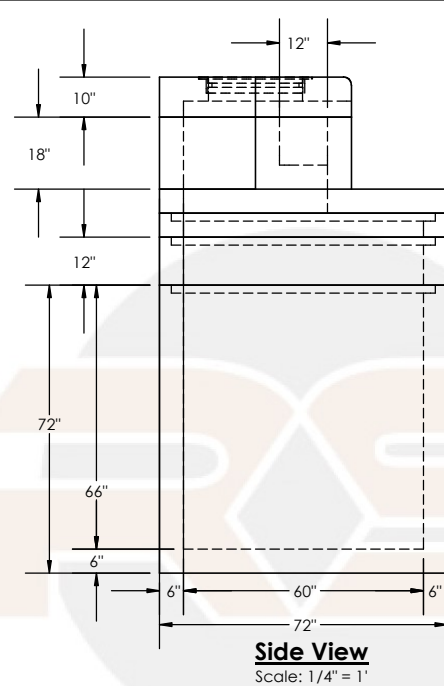


Description	Product Code	Weight (Lbs.)
Bases		
60" x 60" x 66" ID Custom Base	606066B	11,660
Risers		
60" x 60" x 6" ID Riser	60606R	700
60" x 60" x 12" ID Riser	606012R	1,400
60" x 60" x 24" ID Riser	606024R	2,800
60" x 60" x 36" ID Riser	606036R	4,200
Slab Top		
60" x 60" ID Slab Top x 6" Tall with 36" x 60" Offset Opening	60606ST3660OFFSET	2,080
Mid Section		
36" x 60" x 18" C2 Mid Section	366018C2M	5,000
Top Section		
36" x 180" x 10" C2 Top Section	366010C2T	3,700
Cast Iron		
23.5" Ø Cover	235C	175
23.5" Ø Reversible Ring	235RR	75



Isometric View
Scale: 1/4" = 1'

Concrete
28 day compressive strength of 4,500 PSI
Bottoms to be monolithic at floor and at first stage of wall

Cement
Per ASTM C150: Type I

Reinforcement
Rebar per ASTM A615 Grade 60

Rock Solid Precast, L.P.

11393 Sleepy Hollow Road
Conroe, TX 77385

PO Box 8066
The Woodlands, TX 77387

(281) 364-7474

TITLE

60" x 60" C2 Curb Hole Specific
Drawing Submittal

PROPRIETARY AND CONFIDENTIAL
THE INFORMATION CONTAINED IN THIS DRAWING IS THE SOLE PROPERTY OF ROCK SOLID PRECAST, LP. ANY REPRODUCTION IN PART OR AS A WHOLE WITHOUT THE WRITTEN PERMISSION OF ROCK SOLID PRECAST, LP IS PROHIBITED.

DWG. NO.
60C2CHS Submittal Drawing

DRAWN CHECKED WEIGHT
MKK