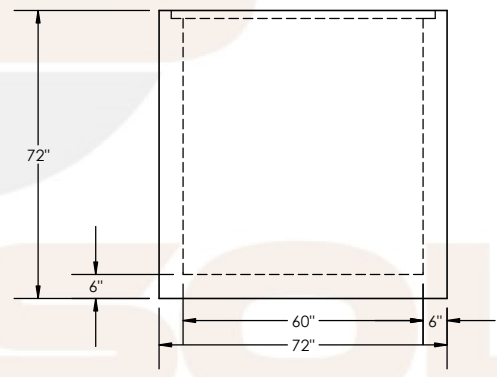
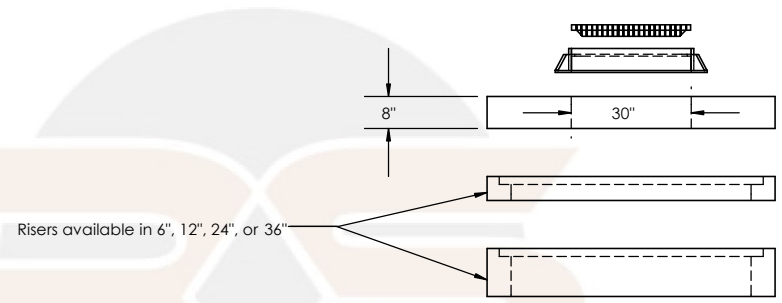
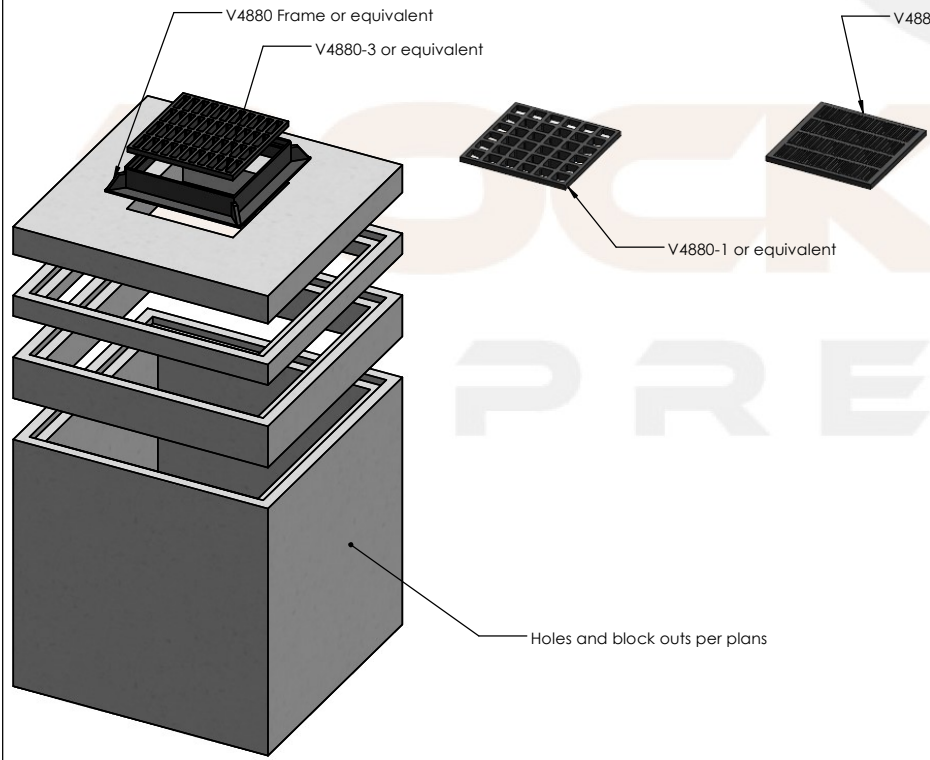


Description	Product Code	Weight (Lbs.)
Bases		
60" x 60" x 66" ID Custom Base	606066B	11,660
Risers		
60" x 60" x 6" ID Riser	60606R	700
60" x 60" x 12" ID Riser	606012R	1,400
60" x 60" x 24" ID Riser	606024R	2,800
60" x 60" x 36" ID Riser	606036R	4,200
Slab Top		
60" x 60" ID Slab Top x 8" Tall with 30" x 30" Opening	60608ST3030	2,235
Cast Iron		
30" x 30" Type A Frame	3030FA	210
30" x 30" Type A Narrow Slot Grate	3030GNS	235
30" x 30" Square Hole Grate	3030GSH	265
30" x 30" Type A ADA Grate	3030GADA	225



Side View
Scale: 1/4" = 1'



Isometric View
Scale: 1/4" = 1'

Concrete
28 day compressive strength of 4,500 PSI
Bottoms to be monolithic at floor and at first stage of wall

Cement
Per ASTM C150: Type I

Reinforcement
Rebar per ASTM A615 Grade 60

Loading
HS-20

Rock Solid Precast, L.P.

11393 Sleepy Hollow Road
Conroe, TX 77385

PO Box 8066
The Woodlands, TX 77387

(281) 364-7474

TITLE

60" x 60" Custom Type A Structure
Submittal

PROPRIETARY AND CONFIDENTIAL
THE INFORMATION CONTAINED IN THIS DRAWING IS THE SOLE PROPERTY OF ROCK SOLID PRECAST, LP. ANY REPRODUCTION IN PART OR AS A WHOLE WITHOUT THE WRITTEN PERMISSION OF ROCK SOLID PRECAST, LP IS PROHIBITED.

DWG. NO.
60A Hole Specific DWG

DRAWN CHECKED WEIGHT
MKK