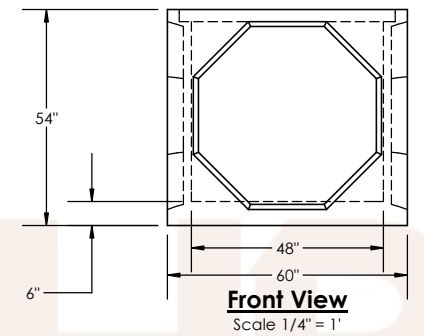
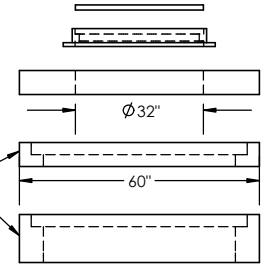
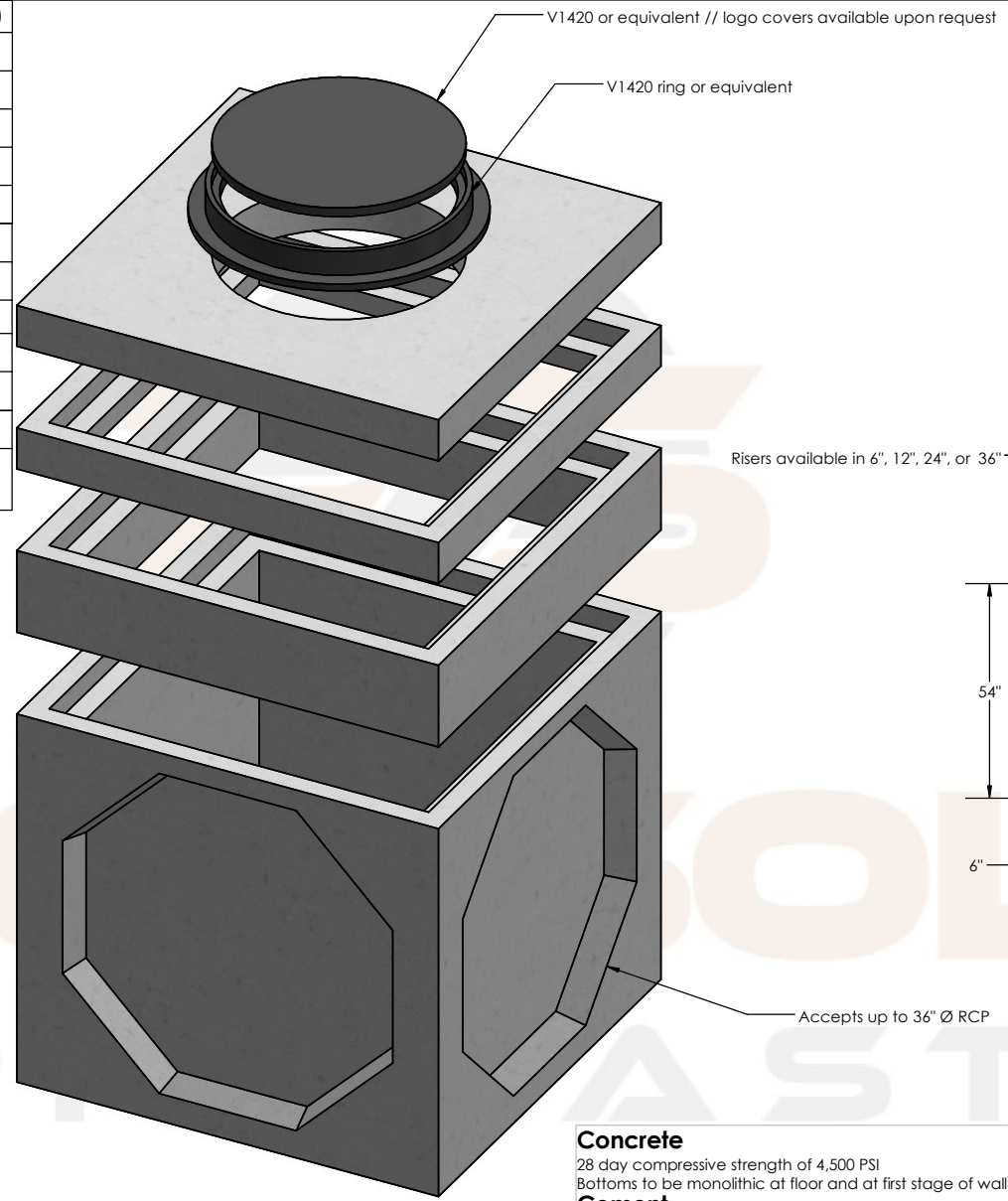


Description	Product Code	Weight (Lbs.)
<b>Bases</b>		
48" x 48" x 48" ID Knockout Base	484848BKO	4,710
48" x 48" x 48" ID Base	484848B	7,275
48" x 48" x 60" ID Knockout Base	484848BKO	5,870
48" x 48" x 60" ID Base	484848B	8,520
<b>Risers</b>		
48" x 48" x 6" ID Riser	48486R	515
48" x 48" x 12" ID Riser	484812R	1,190
48" x 48" x 24" Riser	484824R	2,615
48" x 48" x 36" ID Riser	484836R	3,890
<b>Slab Top</b>		
48" x 48" x 6" Slab Top with 32" Ø Opening	48486ST32	1,455



**Exploded Isometric View**  
Scale: 1/2" = 1'

<b>Cast Iron</b>		
32" Ring	32R	73
32" Cover	32C	172

**Concrete**  
28 day compressive strength of 4,500 PSI  
Bottoms to be monolithic at floor and at first stage of wall

**Cement**  
Per ASTM C150: Type I

**Cast Iron**  
Meets ASTM A48 and CL35B Standards

**Loading**  
Live load of 300 psf - pedestrian rating  
Lateral soil load of 40 pcf  
Water table below structure  
Design for use up to 6' maximum depth

**Reinforcement**  
Rebar per ASTM A615 Grade 60  
Wire Mesh per ASTM A1064

**PROPRIETARY AND CONFIDENTIAL**  
THE INFORMATION CONTAINED IN THIS DRAWING IS THE SOLE PROPERTY OF ROCK SOLID PRECAST, LP. ANY REPRODUCTION IN PART OR AS A WHOLE WITHOUT THE WRITTEN PERMISSION OF ROCK SOLID PRECAST, LP IS PROHIBITED.

**Rock Solid Precast, L.P.**

11393 Sleepy Hollow Road  
Conroe, TX 77385

PO Box 8066  
The Woodlands, TX 77387

(281) 364-7474

---

TITLE

48" x 48" Storm Manhole Submittal

---

DWG. NO. 48MH Drawing Submittal

DRAWN CHECKED WEIGHT  
MKK *AB* Varies