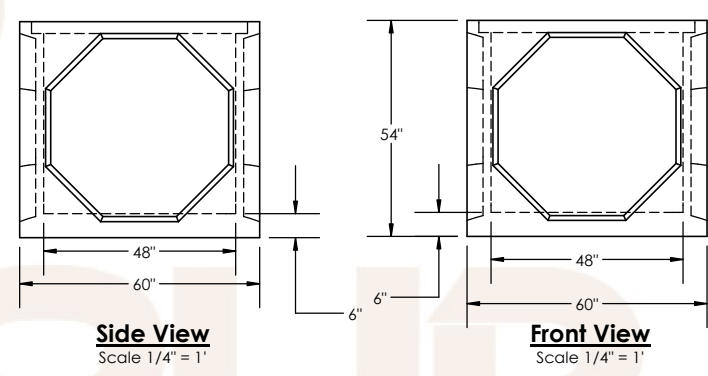
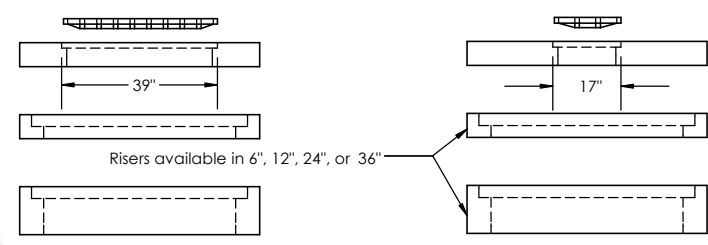
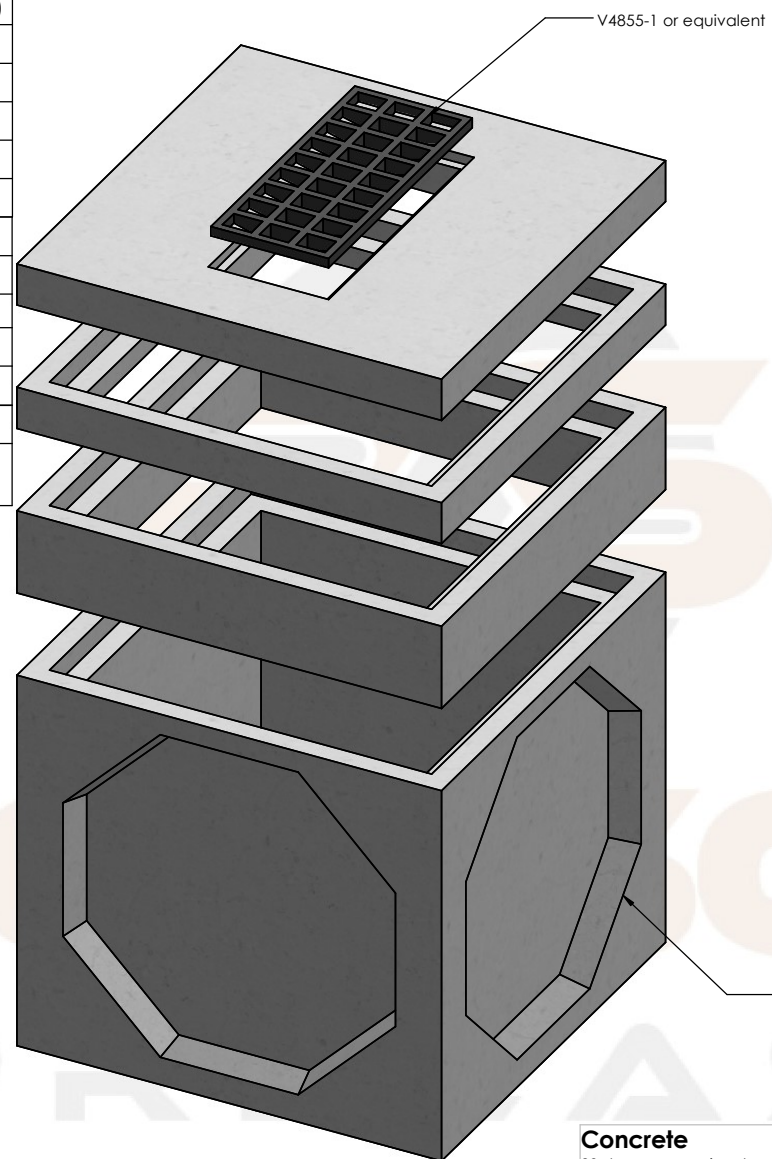


| Description | Product Code | Weight (Lbs.) |
|--|--------------|---------------|
| Bases | | |
| 48" x 48" x 48" ID Knockout Base | 484848BKO | 4,710 |
| 48" x 48" x 48" ID Base | 484848B | 7,275 |
| 48" x 48" x 60" ID Knockout Base | 484848BKO | 5,870 |
| 48" x 48" x 60" ID Base | 484848B | 8,520 |
| Risers | | |
| 48" x 48" x 6" ID Riser | 48486R | 515 |
| 48" x 48" x 12" ID Riser | 484812R | 1,190 |
| 48" x 48" x 24" Riser | 484824R | 2,615 |
| 48" x 48" x 36" ID Riser | 484836R | 3,890 |
| Type E Top | | |
| 48" x 48" x 6" Slab Top with 39" x 17" Opening | 48486ST3917 | 1,590 |



Exploded Isometric View
Scale: 1/2" = 1'

Concrete
28 day compressive strength of 4,500 PSI
Bottoms to be monolithic at floor and at first stage of wall

Cement
Per ASTM C150: Type I

Cast Iron
Meets ASTM A48 and CL35B Standards

Loading
Live load of 300 psf - pedestrian rating
Lateral soil load of 40 pcf
Water table below structure
Design for use up to 6' maximum depth

Reinforcement
Rebar per ASTM A615 Grade 60
Wire Mesh per ASTM A1064

Rock Solid Precast, L.P.

11393 Sleepy Hollow Road
Conroe, TX 77385

PO Box 8066
The Woodlands, TX 77387

(281) 364-7474

PROPRIETARY AND CONFIDENTIAL
THE INFORMATION CONTAINED IN THIS DRAWING IS THE SOLE PROPERTY OF ROCK SOLID PRECAST, LP. ANY REPRODUCTION IN PART OR AS A WHOLE WITHOUT THE WRITTEN PERMISSION OF ROCK SOLID PRECAST, LP IS PROHIBITED.

TITLE

48" x 48" Type D Submittal

DWG. NO. 48D Drawing Submittal

DRAWN CHECKED WEIGHT
MKK *AS* Varies

| Cast Iron | | |
|------------------|-------|-----|
| Type D Grate | 3917G | 590 |