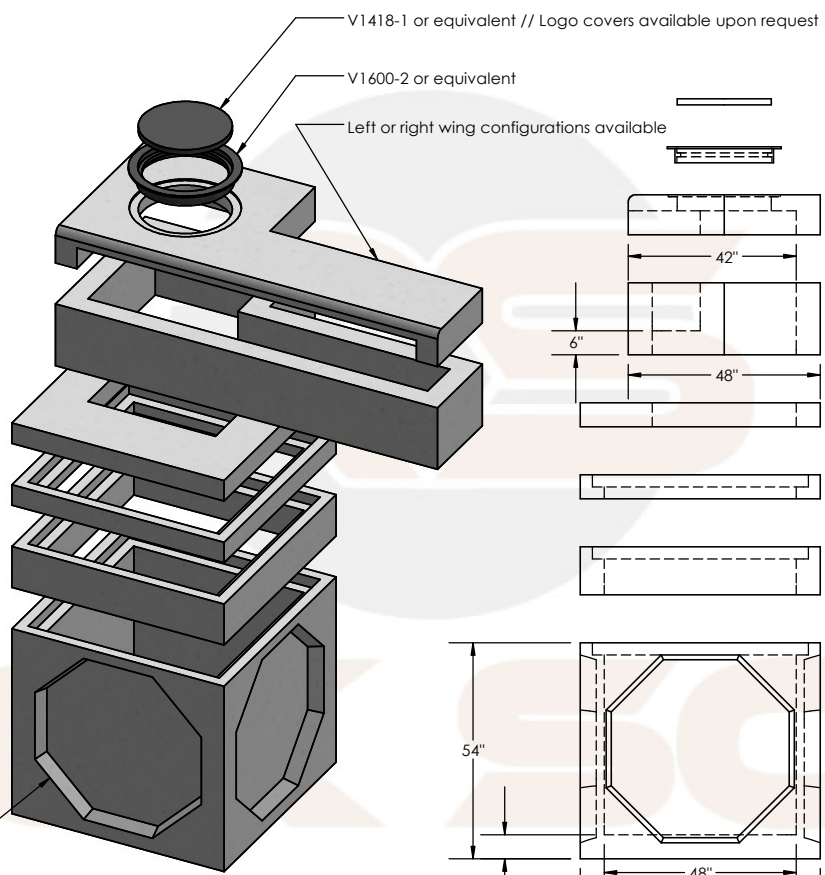
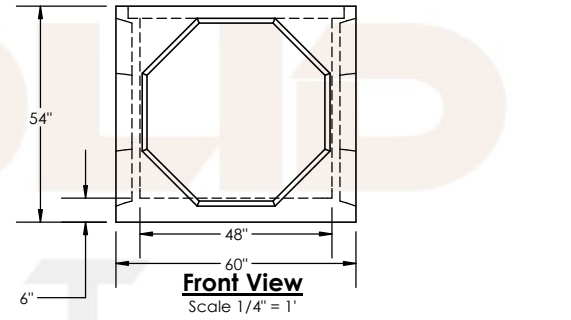
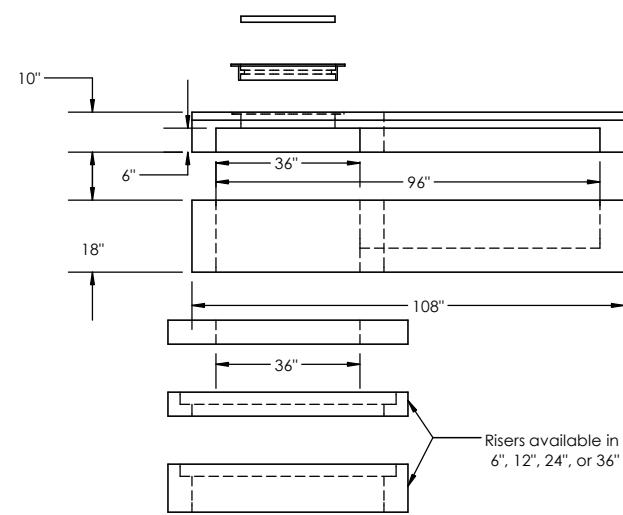
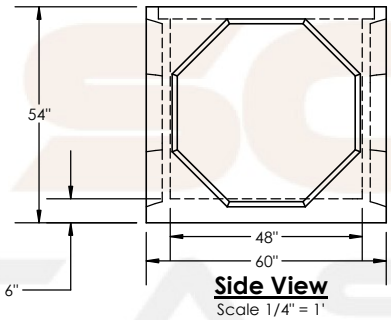
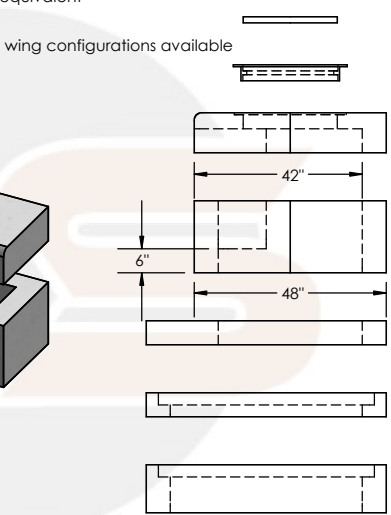


Description	Product Code	Weight (Lbs.)
Bases		
48" x 48" x 48" ID Knockout Base	484848BKO	4,710
48" x 48" x 48" ID Base	484848B	7,275
48" x 48" x 60" ID Knockout Base	484848BKO	5,870
48" x 48" x 60" ID Base	484848B	8,520
Risers		
48" x 48" x 6" ID Riser	48486R	515
48" x 48" x 12" ID Riser	484812R	1,190
48" x 48" x 24" Riser	484824R	2,615
48" x 48" x 36" ID Riser	484836R	3,890
Slab Top		
48" x 48" x 6" Slab Top with 36" x 36" Opening	48486ST3636	1,200
Mid Section		
36" x 36" x 18" C1 Mid Section (Left)	363618C1ML	2,700
36" x 36" x 18" Mid Section (Right)	363618C1MR	2,700
Top Section		
36" x 36" x 18" C1 Top Section (Left)	363618C1TL	1,735
36" x 36" x 18" Top Section (Right)	363618C1TR	1,735



Exploded Isometric View
Scale: 1/4" = 1'



Cast Iron		
23.5" Ring	235RR	75
23.5" Cover	235C	175

Concrete
28 day compressive strength of 4,500 PSI
Bottoms to be monolithic at floor and at first stage of wall

Cement
Per ASTM C150: Type I

Cast Iron
Meets ASTM A48 and CL35B Standards

Loading
Live load of 300 psf - pedestrian rating
Lateral soil load of 40 pcf
Water table below structure
Design for use up to 6' maximum depth

Reinforcement
Rebar per ASTM A615 Grade 60
Wire Mesh per ASTM A1064

PROPRIETARY AND CONFIDENTIAL
THE INFORMATION CONTAINED IN THIS DRAWING IS THE SOLE PROPERTY OF ROCK SOLID PRECAST, LP. ANY REPRODUCTION IN PART OR AS A WHOLE WITHOUT THE WRITTEN PERMISSION OF ROCK SOLID PRECAST, LP IS PROHIBITED.

Rock Solid Precast, L.P.

11393 Sleepy Hollow Road
Conroe, TX 77385

PO Box 8066
The Woodlands, TX 77387

(281) 364-7474

TITLE

48" x 48" C1 Curb Submittal

DWG. NO.
48C1C Drawing Submittal

DRAWN CHECKED WEIGHT
MKK *AS* Varies