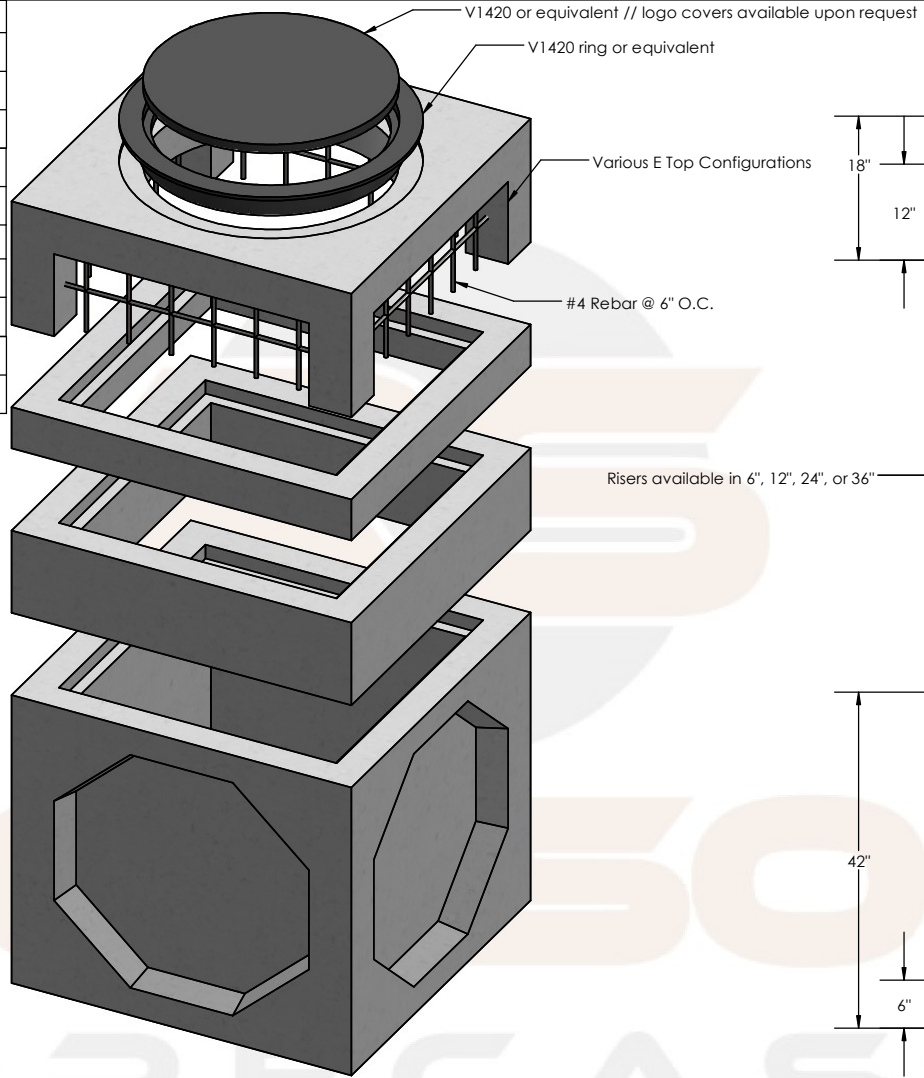
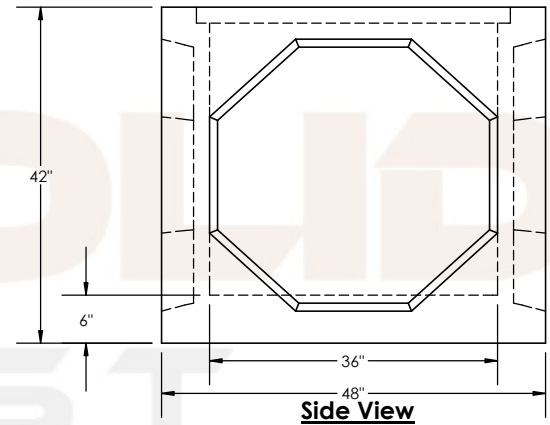
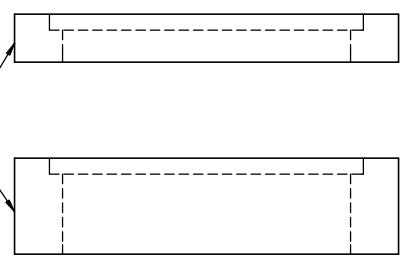
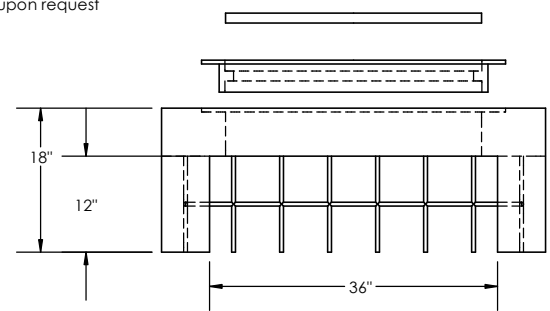


Description	Product Code	Weight (Lbs.)
<b>Bases</b>		
36" x 36" x 36" ID Base	363636B	4,310
36" x 36" x 48" ID Base	363648B	5,360
<b>Risers</b>		
36" x 36" x 6" ID Riser	36366R	485
36" x 36" x 12" ID Riser	363612R	1,010
36" x 36" x 24" ID Riser	363624R	2,060
36" x 36" x 36" ID Riser	363636R	3,110
<b>Type E Top</b>		
36" x 36" x 18" E Top	363618E	960



**Exploded Isometric View**  
Scale: 1/2" = 1'



**Side View**  
Scale 1/4" = 1'

**Concrete**  
28 day compressive strength of 4,500 PSI  
Bottoms to be monolithic at floor and at first stage of wall

**Cement**  
Per ASTM C150: Type I

**Cast Iron**  
Meets ASTM A48 and CL35B Standards

**Loading**  
6.5' max depth  
Water table 5' below grade

**Reinforcement**  
Rebar per ASTM A615 Grade 60  
Wire Mesh per ASTM A1064

**Rock Solid Precast, L.P.**

11393 Sleepy Hollow Road PO Box 8066  
Conroe, TX 77385 The Woodlands, TX 77387  
(281) 364-7474

TITLE  
  
36" x 36" Type E Submittal

**PROPRIETARY AND CONFIDENTIAL**  
THE INFORMATION CONTAINED IN THIS DRAWING IS THE SOLE PROPERTY OF ROCK SOLID PRECAST, LP. ANY REPRODUCTION IN PART OR AS A WHOLE WITHOUT THE WRITTEN PERMISSION OF ROCK SOLID PRECAST, LP IS PROHIBITED.

DWG. NO. 36E Drawing Submittal  
DRAWN CHECKED WEIGHT  
MKK Varies

<b>Cast Iron</b>		
32" Ring	32R	73
32" Cover	32C	172