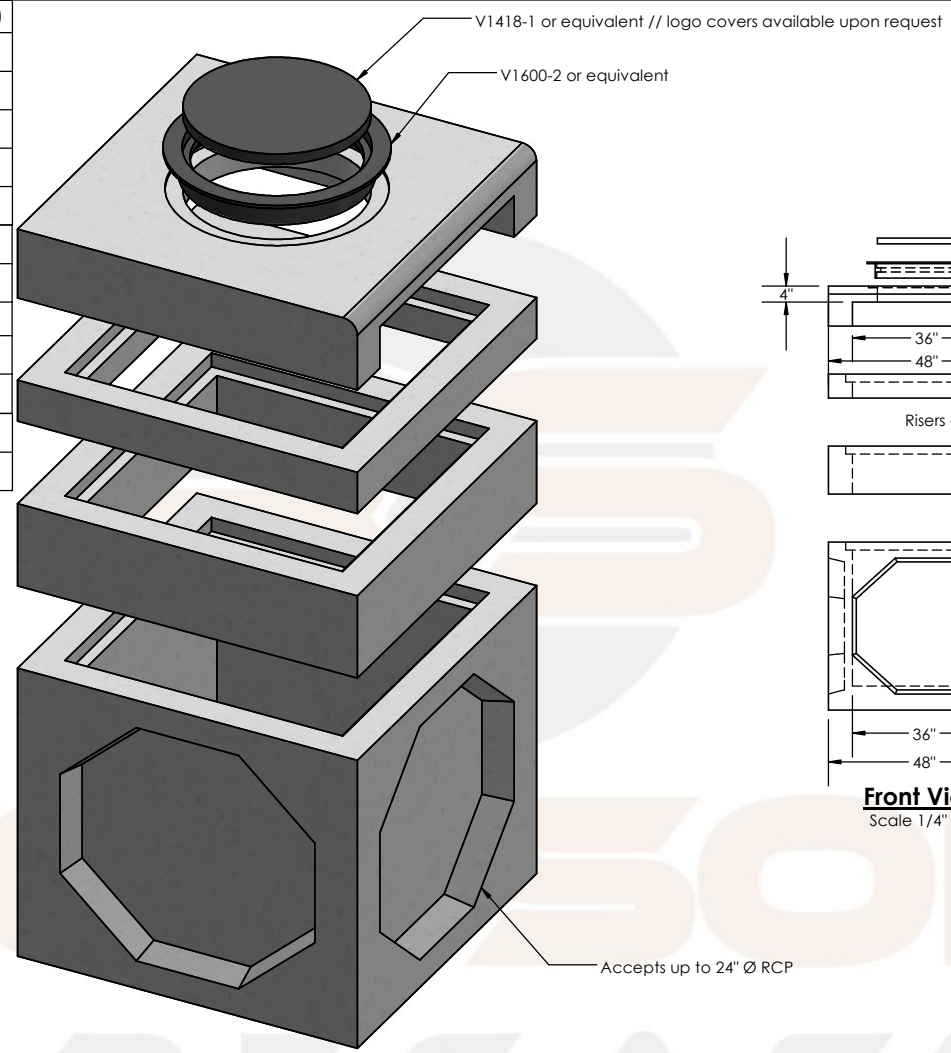
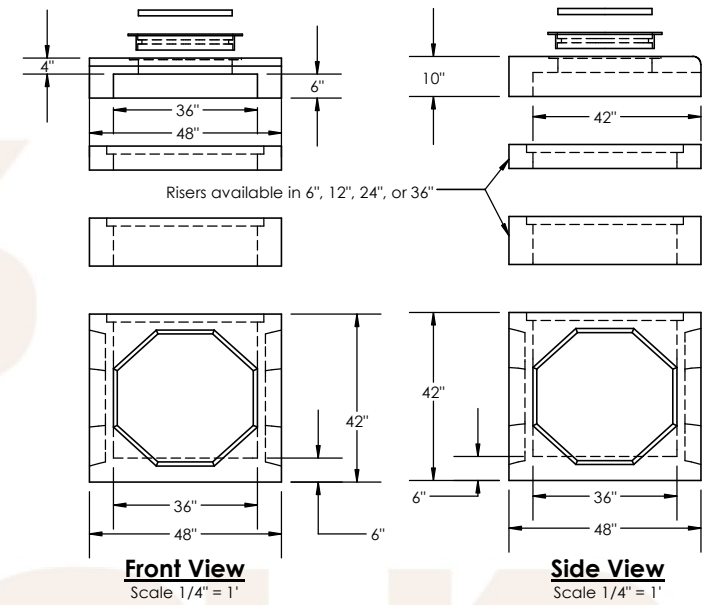


Description	Product Code	Weight (Lbs.)
Bases		
36" x 36" x 36" ID Knockout Base	363636BKO	2,980
36" x 36" x 36" ID Base	363636B	4,310
36" x 36" x 48" ID Knockout Base	363648BKO	3,960
36" x 36" x 48" ID Base	363648B	5,360
Risers		
36" x 36" x 6" ID Riser	36366R	485
36" x 36" x 12" ID Riser	363612R	1,010
36" x 36" x 24" ID Riser	363624R	2,060
36" x 36" x 36" ID Riser	363636R	3,110
Top Section		
36" x 36" x 10" C Curb Top	363610CT	1,050



Exploded Isometric View
Scale: 1/2" = 1'



Cast Iron		
32" Ring	32R	73
32" Cover	32C	172

Concrete
28 day compressive strength of 4,500 PSI
Bottoms to be monolithic at floor and at first stage of wall

Cement
Per ASTM C150: Type I

Cast Iron
Meets ASTM A48 and CL35B Standards

Loading
6.5' max depth
Water table 5' below grade

Reinforcement
Rebar per ASTM A615 Grade 60
Wire Mesh per ASTM A1064

PROPRIETARY AND CONFIDENTIAL
THE INFORMATION CONTAINED IN THIS DRAWING IS THE SOLE PROPERTY OF ROCK SOLID PRECAST, LP. ANY REPRODUCTION IN PART OR AS A WHOLE WITHOUT THE WRITTEN PERMISSION OF ROCK SOLID PRECAST, LP IS PROHIBITED.

Rock Solid Precast, L.P.

11393 Sleepy Hollow Road
Conroe, TX 77385

PO Box 8066
The Woodlands, TX 77387

(281) 364-7474

TITLE

36" x 36" C Curb Submittal

DWG. NO.
36C Curb Drawing Submittal

DRAWN	CHECKED	WEIGHT
MKK		Varies