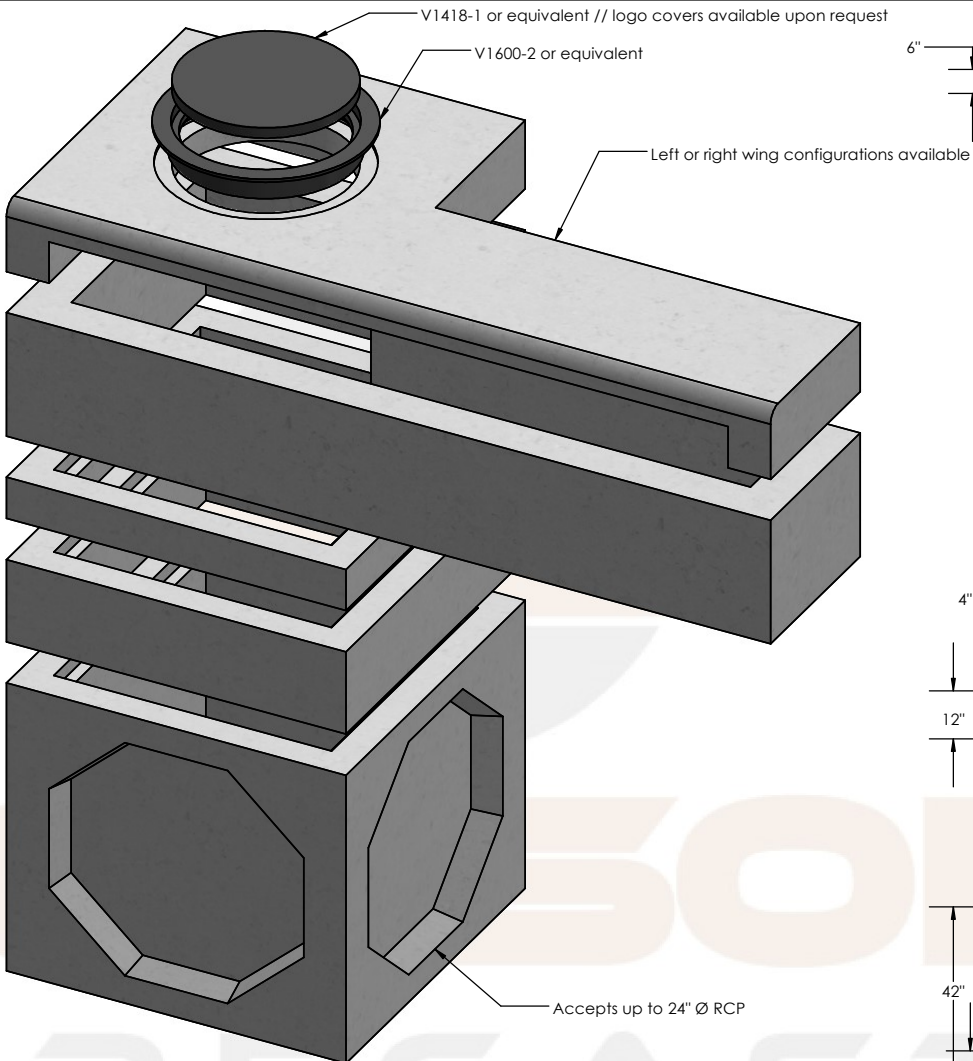
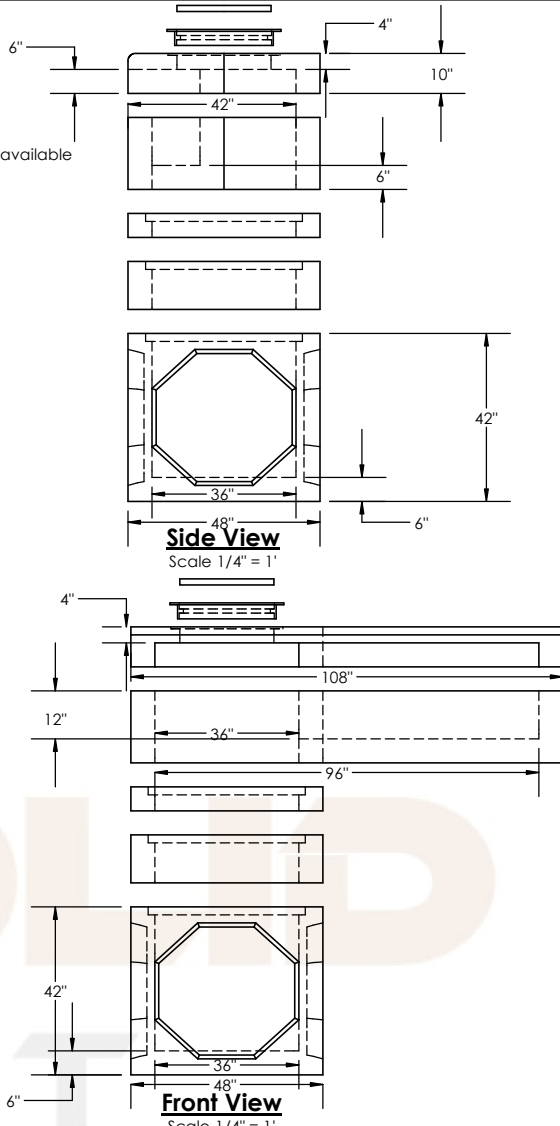


Description	Product Code	Weight (Lbs.)
Bases		
36" x 36" x 36" ID Knockout Base	363636BKO	2,980
36" x 36" x 36" ID Base	363636B	4,310
36" x 36" x 48" ID Knockout Base	363648BKO	3,960
36" x 36" x 48" ID Base	363648B	5,360
Risers		
36" x 36" x 6" ID Riser	36366R	485
36" x 36" x 12" ID Riser	363612R	1,010
36" x 36" x 24" ID Riser	363624R	2,060
36" x 36" x 36" ID Riser	363636R	3,110
Mid Section		
36" x 36" x 18" C1 Mid Section (Left)	363618C1ML	2,700
36" x 36" x 18" C1 Mid Section (Right)	363618C1MR	2,700
Top Section		
36" x 36" x 10" C1 Top Section (Left)	363610C1TL	1,750
36" x 36" x 10" C1 Top Section (Right)	363610C1TR	1,750



Exploded Isometric View
Scale: 1/2" = 1'



Concrete
28 day compressive strength of 4,500 PSI
Bottoms to be monolithic at floor and at first stage of wall

Cement
Per ASTM C150: Type I

Cast Iron
Meets ASTM A48 and CL35B Standards

Loading
6.5' max depth
Water table 5' below grade

Reinforcement
Rebar per ASTM A615 Grade 60
Wire Mesh per ASTM A1064

Rock Solid Precast, L.P.

11393 Sleepy Hollow Road
Conroe, TX 77385

PO Box 8066
The Woodlands, TX 77387

(281) 364-7474

TITLE

36" x 36" C1 Curb Submittal

DWG. NO. 36C1C Drawing Submittal

DRAWN CHECKED WEIGHT
MKK Varies

Cast Iron		
23.5" Ring	235RR	75
23.5" Cover	235C	175

PROPRIETARY AND CONFIDENTIAL
THE INFORMATION CONTAINED IN THIS DRAWING IS THE SOLE PROPERTY OF ROCK SOLID PRECAST, LP. ANY REPRODUCTION IN PART OR AS A WHOLE WITHOUT THE WRITTEN PERMISSION OF ROCK SOLID PRECAST, LP IS PROHIBITED.