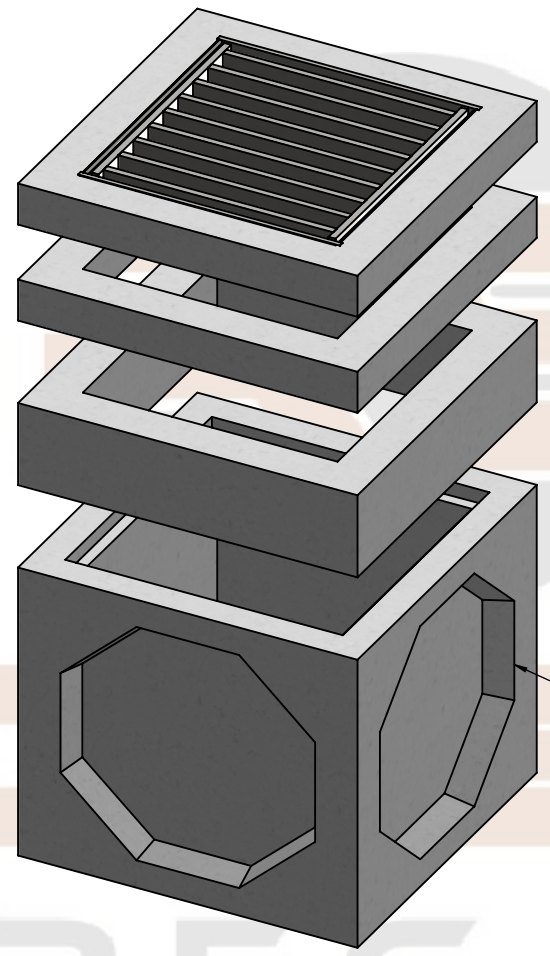
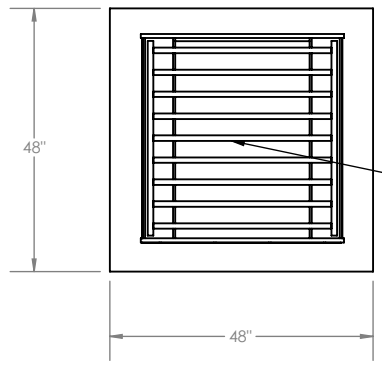
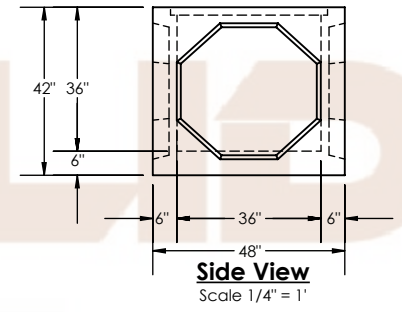
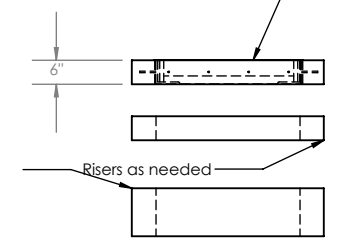


Description	Product Code	Weight (Lbs.)
<b>Bases</b>		
36" x 36" x 36" ID Knockout Base	363636BKO	2,980
<b>Risers</b>		
36" x 36" x 6" ID Riser	36366R	485
36" x 36" x 12" ID Riser	363612R	1,010
36" x 36" x 24" ID Riser	363624R	2,060
36" x 36" x 36" ID Riser	363636R	3,110
<b>Slab Top</b>		
36" x 36" x 6" Slab Top with 36" x 37" Opening	36366ST3030	735
<b>Cast Iron</b>		
Type AZ Assembly	AZASSEMBLY	652



**Exploded Isometric View**  
Scale: 1/2" = 1'

TX DOT Type AZ F&G Cast-In



TX DOT Type AZ F&G Cast-In

**Concrete**  
28 day compressive strength of 4,500 PSI  
Bottoms to be monolithic at floor and at first stage of wall

**Cement**  
Per ASTM C150: Type I/II

**Cast Iron**  
Meets ASTM A48 and CL35B Standards

**Loading**  
Live Load: H20

**Reinforcement**  
Rebar per ASTM A615 Grade 60  
Wire Mesh per ASTM A1064

**PROPRIETARY AND CONFIDENTIAL**  
THE INFORMATION CONTAINED IN THIS DRAWING IS THE SOLE PROPERTY OF ROCK SOLID PRECAST, LP. ANY REPRODUCTION IN PART OR AS A WHOLE WITHOUT THE WRITTEN PERMISSION OF ROCK SOLID PRECAST, LP IS PROHIBITED.

**Rock Solid Precast, L.P.**

11393 Sleepy Hollow Road  
Conroe, TX 77385

PO Box 8066  
The Woodlands, TX 77387

(281) 364-7474

TITLE	
36" x 36" Type AZ Submittal	
DWG. NO.	36AZ Cast-In Drawing Submittal
DRAWN	CHECKED
RR	WEIGHT
	Varies