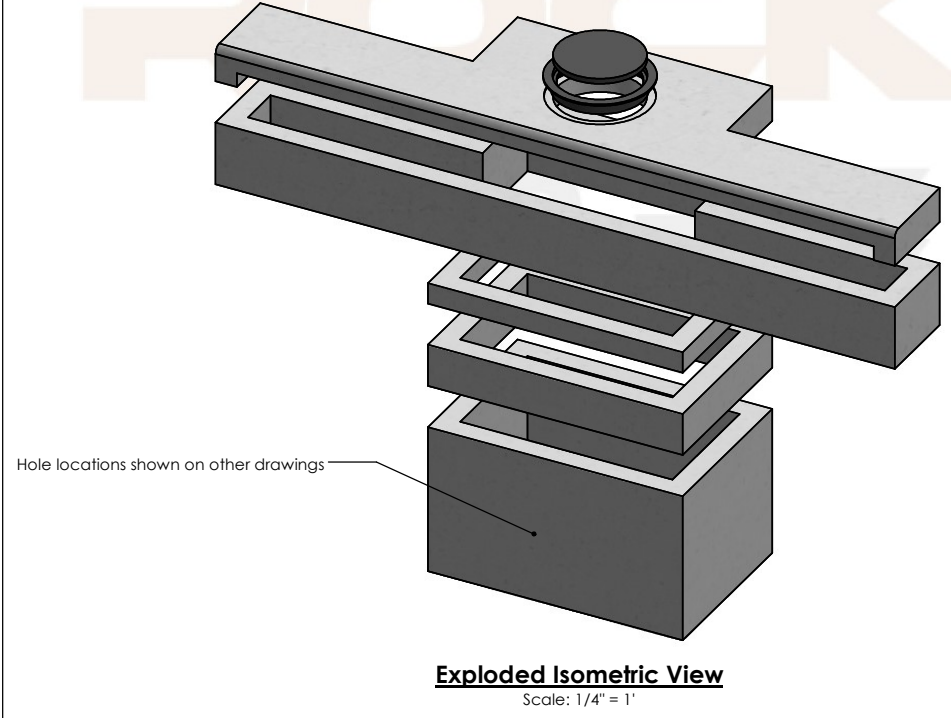
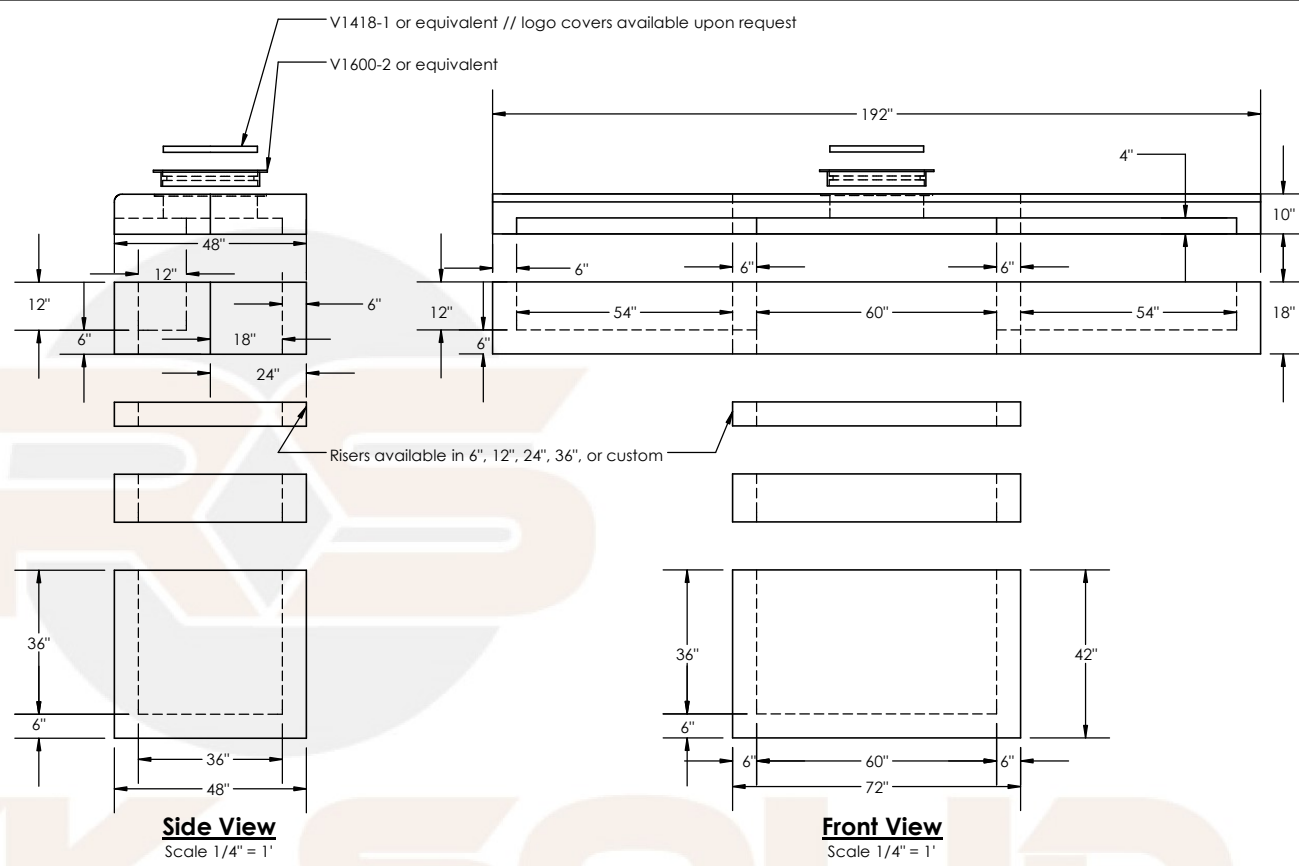


Description	Product Code	Weight (Lbs.)
Bases		
36" x 60" x 36" ID Base	366036B	5,850
36" x 60" x 48" ID Base	366048B	7,200
Risers		
36" x 60" x 6" ID Riser	36606R	675
36" x 60" x 12" ID Riser	366012R	1,350
36" x 60" x 24" ID Riser	366024R	2,700
36" x 60" x 36" ID Riser	366036R	4,050
Mid Section		
36" x 60" x 18" ID C2 Mid Section	366018C2M	5,035
Top Section		
36" x 60" x 10" ID C2 Curb Top	366010C2T	3,630
Cast Iron		
23.5" Ø Reversible Ring x 4.5" Tall	235RR	75
23.5" Cover	235C	175



Concrete
 28 day compressive strength of 4,500 PSI
 Bottoms to be monolithic at floor and at first stage of wall

Cement
 Per ASTM C150: Type I

Cast Iron
 Meets ASTM A48 and CL35B Standards

Loading
 Vertical soil: 120 PCF, Lateral Soil: 45 PCF
 Water table: assumed 5' below grade
 Live load surcharge: 80 PSF to 8' depth
 Max depth: 12' from rim to box bottom

Reinforcement
 Rebar per ASTM A615 Grade 60

Rock Solid Precast, L.P.

11393 Sleepy Hollow Road PO Box 8066
 Conroe, TX 77385 The Woodlands, TX 77387

(281) 364-7474

TITLE

36" x 60" C2 Curb Hole Specific
 Submittal Drawing

DWG. NO.
 3660C2HS Curb Submittal Drawing

DRAWN CHECKED WEIGHT
 MKK AB Varies

PROPRIETARY AND CONFIDENTIAL
 THE INFORMATION CONTAINED IN THIS DRAWING IS THE SOLE PROPERTY OF ROCK SOLID PRECAST, LP. ANY REPRODUCTION IN PART OR AS A WHOLE WITHOUT THE WRITTEN PERMISSION OF ROCK SOLID PRECAST, LP IS PROHIBITED.