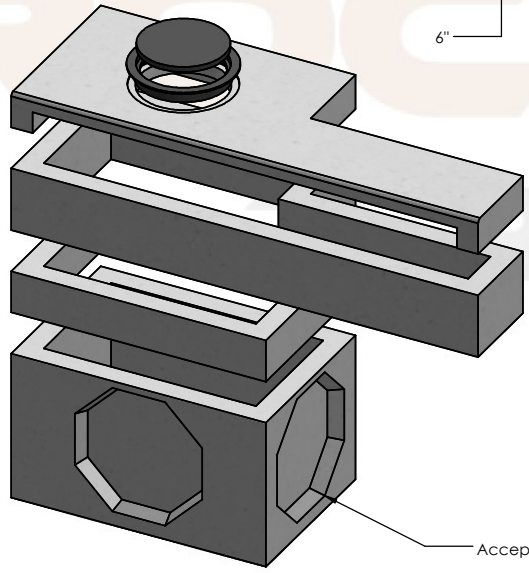
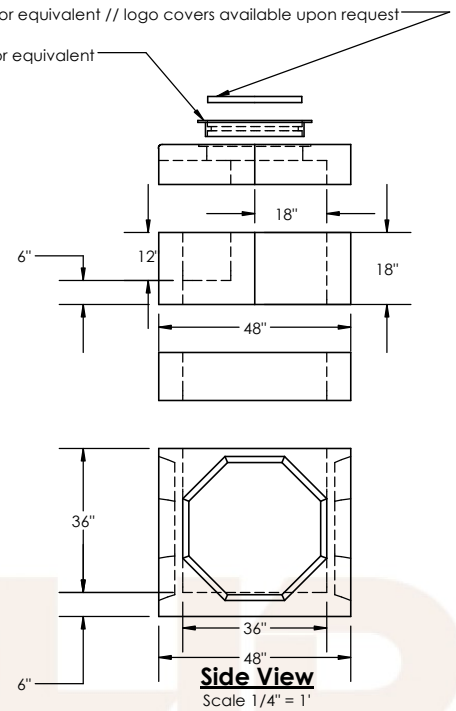
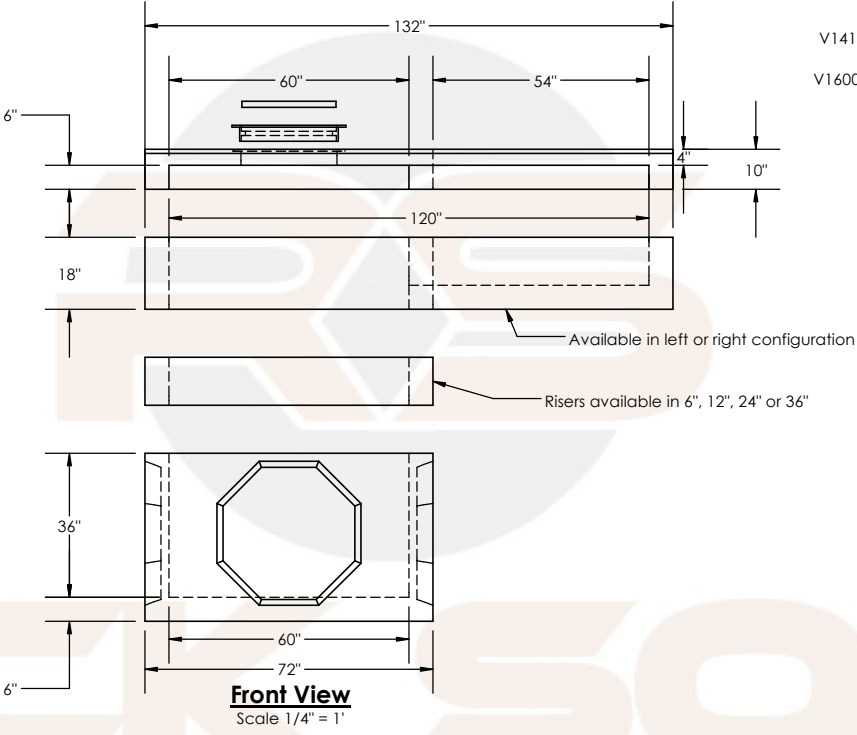


Description	Product Code	Weight (Lbs.)
<b>Bases</b>		
36" x 60" x 36" ID Base	366036B	5,850
36" x 60" x 36" ID Knockout Base	366036BKO	4,480
36" x 60" x 48" ID Base	366048B	7,200
36" x 60" x 48" ID Knockout Base	366048BKO	5,830
<b>Risers</b>		
36" x 60" x 6" Riser	36606R	675
36" x 60" x 12" ID Riser	366012R	1,350
36" x 60" x 24" Riser	366024R	2,700
36" x 60" x 36" Riser	366036R	4,050
<b>Mid Section</b>		
36" x 60" x 18" C1 Curb Mid Right	366018C1MR	3,525
36" x 60" x 18" C1 Curb Mid Left	366010C1ML	3,525
<b>Top Section</b>		
36" x 60" x 10" C1 Curb Top Right	366010C1TR	2,210
36" x 60" x 10" C1 Curb Top Left	366010C1TL	2,210
<b>Cast Iron</b>		
23.5" Ring	235RR	175
23.5" Cover	235C	75



**Exploded Isometric View**  
Scale: 1/4" = 1'

Accepts up to 24" Ø RCP

**Concrete**  
28 day compressive strength of 4,500 PSI  
Bottoms to be monolithic at floor and at first stage of wall

**Cement**  
Per ASTM C150: Type I

**Design**  
6' maximum depth

**Cast Iron**  
Meets ASTM A48 and CL35B Standards

**Reinforcement**  
Rebar per ASTM A615 Grade 60  
Wire Mesh per ASTM A1064

**Rock Solid Precast, L.P.**

11393 Sleepy Hollow Road  
Conroe, TX 77385

PO Box 8066  
The Woodlands, TX 77387

(281) 364-7474

TITLE

36" x 60" C1 Curb Submittal

**PROPRIETARY AND CONFIDENTIAL**  
THE INFORMATION CONTAINED IN THIS DRAWING IS THE SOLE PROPERTY OF ROCK SOLID PRECAST, LP. ANY REPRODUCTION IN PART OR AS A WHOLE WITHOUT THE WRITTEN PERMISSION OF ROCK SOLID PRECAST, LP IS PROHIBITED.

DWG. NO.  
3660C1 Curb Submittal Drawing

DRAWN CHECKED WEIGHT  
MKK AB Varies