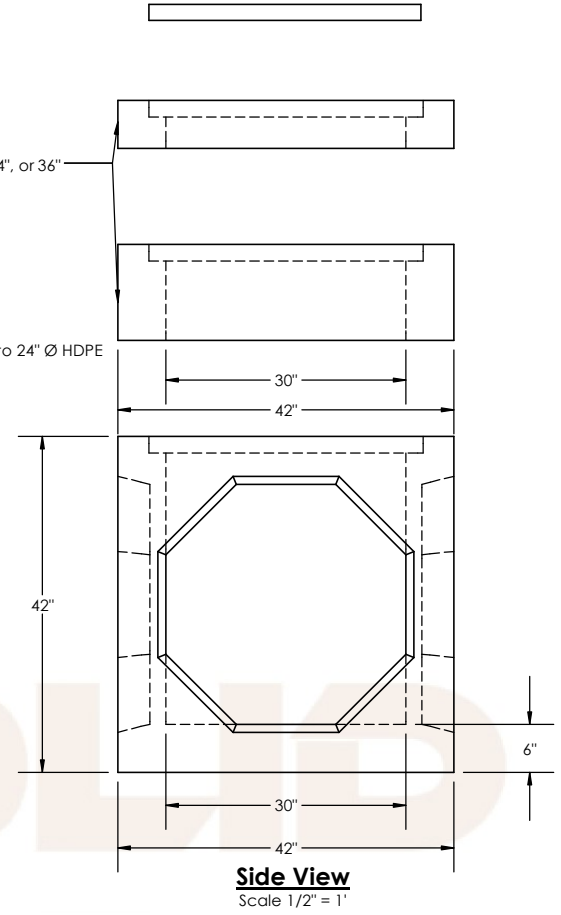
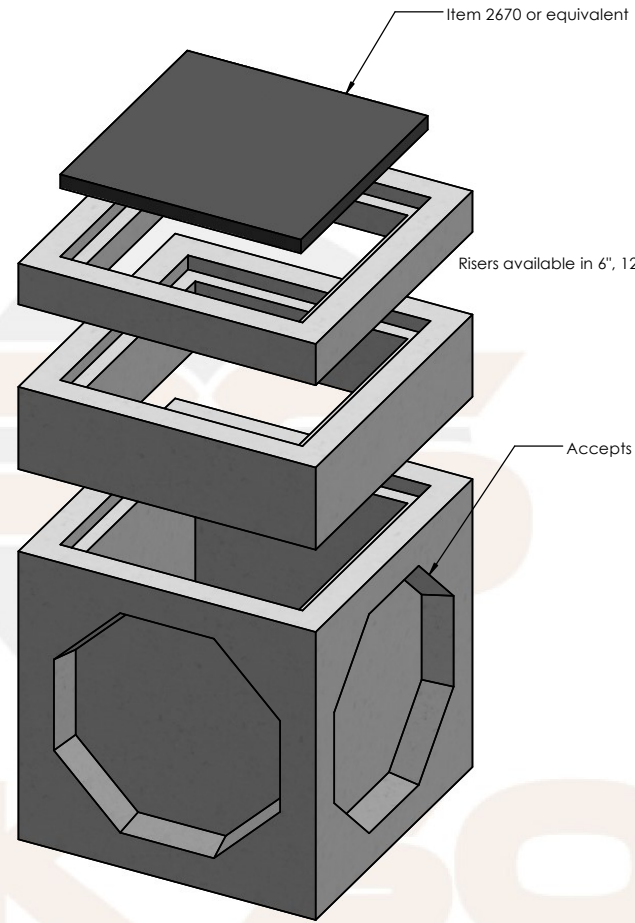


Description	Product Code	Weight (Lbs.)
<b>Bases</b>		
30" x 30" x 36" ID Knockout Base	303036BKO	2,465
30" x 30" x 36" ID Base	303036B	3,570
30" x 30" x 48" ID Knockout Base	303048BKO	3,365
30" x 30" x 48" ID Base	303048B	4,470
<b>Risers</b>		
30" x 30" x 6" ID Riser	30306R	400
30" x 30" x 12" ID Riser	303012R	850
30" x 30" x 24" Riser	303024R	1,750
30" x 30" x 36" ID Riser	303036R	2,650
<b>Cast Iron</b>		
34" x 34" Solid Lid	S3434SL	610



**Exploded Isometric View**  
Scale: 1/2" = 1'

**Side View**  
Scale 1/2" = 1'

**Concrete**  
28 day compressive strength of 4,500 PSI  
Bottoms to be monolithic at floor and at first stage of wall

**Cement**  
Per ASTM C150: Type I/II

**Loading**  
Designed to H-20 loading standard

**Design**  
Per ASTM C913  
Standard configurations verified for up to 7.5' maximum

**Cast Iron**  
Meets ASTM A48 and CL35B Standards

**Reinforcement**  
Rebar per ASTM A615 Grade 60  
Wire Mesh per ASTM A1064

**PROPRIETARY AND CONFIDENTIAL**  
THE INFORMATION CONTAINED IN THIS DRAWING IS THE SOLE PROPERTY OF ROCK SOLID PRECAST, LP. ANY REPRODUCTION IN PART OR AS A WHOLE WITHOUT THE WRITTEN PERMISSION OF ROCK SOLID PRECAST, LP IS PROHIBITED.

**Rock Solid Precast, L.P.**

11393 Sleepy Hollow Road  
Conroe, TX 77385

PO Box 8066  
The Woodlands, TX 77387

(281) 364-7474

TITLE	
30" x 30" Junction Box Submittal	
DWG. NO.	30JB Drawing Submittal
DRAWN	CHECKED
MKK	WEIGHT
	Varies