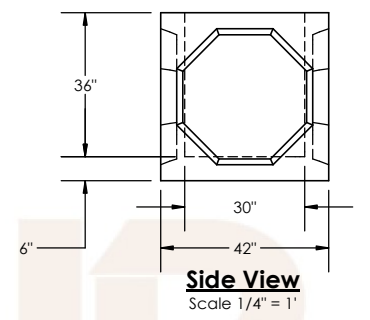
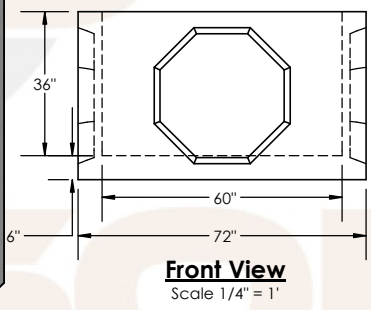
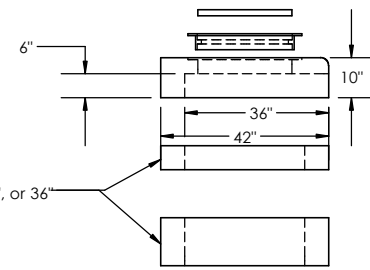
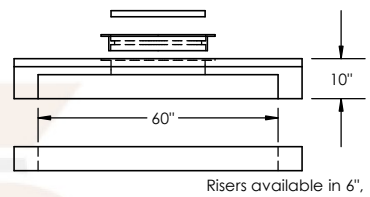
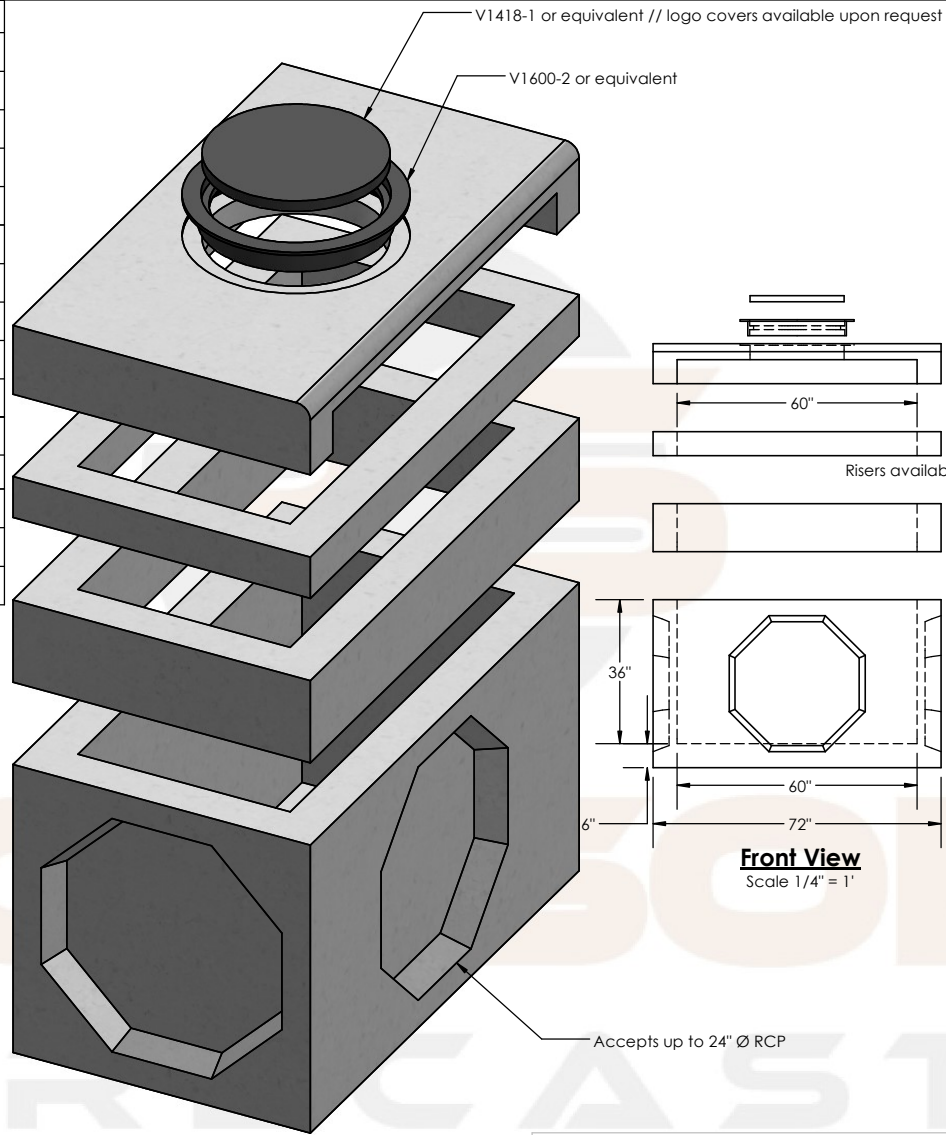


Description	Product Code	Weight (Lbs.)
Bases		
30" x 60" x 36" ID Base	306036B	5,400
30" x 60" x 36" ID Knockout Base	306036BKO	4,185
30" x 60" x 48" ID Base	306048B	6,675
30" x 60" x 48" ID Knockout Base	306048BKO	5,460
Risers		
30" x 60" x 6" Riser	30606R	640
30" x 60" x 12" ID Riser	306012R	1,275
30" x 60" x 24" Riser	306024R	2,550
30" x 60" x 36" Riser	306036R	3,825
Top Section		
30" x 60" H2 Curb Top	3060H2CT	1,340
Cast Iron		
23.5" Ring	235RR	175
23.5" Cover	235C	75



Exploded Isometric View
Scale: 1/2" = 1'

Concrete
28 day compressive strength of 4,500 PSI
Bottoms to be monolithic at floor and at first stage of wall

Cement
Per ASTM C150: Type I/II

Design
Per ASTM C913
7' maximum depth
Water Table 3' below grade

Cast Iron
Meets ASTM A48 and CL35B Standards

Reinforcement
Rebar per ASTM A615 Grade 60
Wire Mesh per ASTM A1064

PROPRIETARY AND CONFIDENTIAL
THE INFORMATION CONTAINED IN THIS DRAWING IS THE SOLE PROPERTY OF ROCK SOLID PRECAST, LP. ANY REPRODUCTION IN PART OR AS A WHOLE WITHOUT THE WRITTEN PERMISSION OF ROCK SOLID PRECAST, LP IS PROHIBITED.

Rock Solid Precast, L.P.

11393 Sleepy Hollow Road PO Box 8066
Conroe, TX 77385 The Woodlands, TX 77387
(281) 364-7474

TITLE	
30" x 60" H2 Curb Submittal	
DWG. NO.	3060H2 Curb Submittal Drawing
DRAWN	CHECKED
MKK	WEIGHT
	Varies